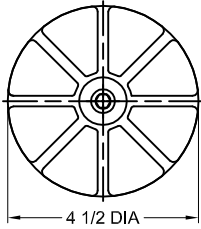


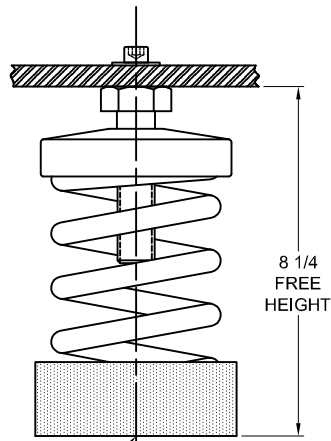
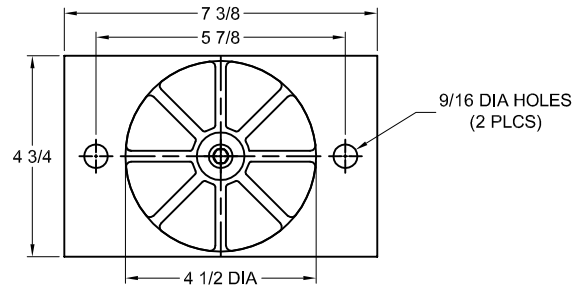
133R-102001 REV.: 4

REV.	DESCRIPTION	DATE	BY

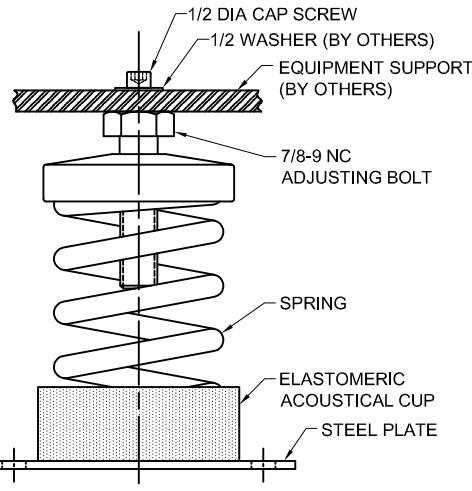
STYLE A
MODEL A-2E



STYLE AB
MODEL AB-2E



1 1/2 HOLE IN CENTER OF CUP FOR FASTENING TO FLOOR IF REQ'D



NOTES:

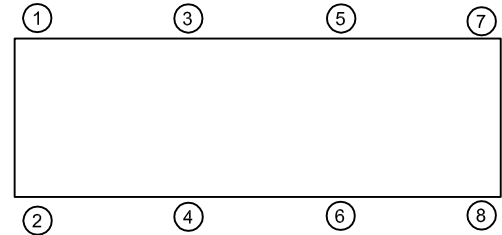
1. ALL DIMENSIONS IN INCHES. INTERPRET PER ANSI Y14.
2. FINISH: CASTING AND SPRING- POWDER COAT, HARDWARE- ZINC ELECTROPLATE
3. REFER TO DRAWING 2 OF 2 FOR INSTALLATION INSTRUCTIONS.
4. INNER SPRING (WHEN USED) NOT SHOWN.
5. ALL SPRINGS DESIGNED WITH 50% OVER-TRAVEL.
6. RATED DEFLECTIONS ARE WITHIN 25% OF NOMINAL. HIGHER DEFLECTIONS ARE ALLOWED IF THEY MEET SPECIFICATIONS.

MODELS A-2E AND AB-2E SPRING-FLEX ISOLATORS

MODEL	MAX LOAD (LBS)	DEFLECTION (IN)	SPRING RATE (LB/IN)	SPRING COLOR CODE
A*-2E-80 ²	80	2.00	40	BLACK
A*-2E-150 ²	150	2.00	75	GREEN
A*-2E-300 ²	300	2.00	150	DK YELLOW
A*-2E-500 ²	500	2.00	250	BLUE
A*-2E-776N	776	2.00	388	BLUE/BLACK
A*-2E-1000 ²	1000	2.00	500	TAN
A*-2E-1400 ²	1400	1.87	750	RED
A*-2E-1600N ^{1,2}	1600	2.13	750	TAN/RED
A*-2E-1800 ²	1800	1.71	1050	DK GRAY
A*-2E-2050 ²	2050	1.64	1250	DK BLUE
A*-2E-2250N ^{1,2}	2250	1.62	1389	DK BLUE/BLACK
A*-2E-2460N ^{1,2}	2460	1.64	1500	DK BLUE/RED
A*-2E-2700N ^{1,2}	2700	1.64	1646	DK BLUE/ DK GREEN

NOTES:

1. TWO NESTED SPRINGS YIELD THIS LOAD. THE COLOR CODE INDICATED IS FOR OUTER SPRING/ INNER SPRING.
2. TO COMPLETE MODEL NUMBER, ADD STYLE LETTER (IF USED) IN PLACE OF *.



ISOLATOR SELECTIONS

LOC 1:	LOC 2:
LOC 3:	LOC 4:
LOC 5:	LOC 6:
LOC 7:	LOC 8:
CUSTOMER EQPT. TAG:	

NOTE: MATERIAL SHOWN IS FOR (1) SET.

OTHER MATERIALS, COMPOUNDS, OR FINISHES WITH EQUAL OR SUPERIOR PROPERTIES MAY BE SUBSTITUTED AS THEY BECOME AVAILABLE.

CERTIFIED FOR:

JOB NAME: _____
 CUSTOMER: _____
 CUSTOMER P.O.: _____
 SALES ORDER: _____

MODEL A-2E & AB-2E 80-2700 LBS.
 OPEN SPRING-FLEX ISOLATORS
 2 INCH DEFLECTION



THE VMC GROUP
 The Power of Together
 Bloomingdale, NJ 07403
 Houston, TX 77041

SCALE:

NONE

SHEET:



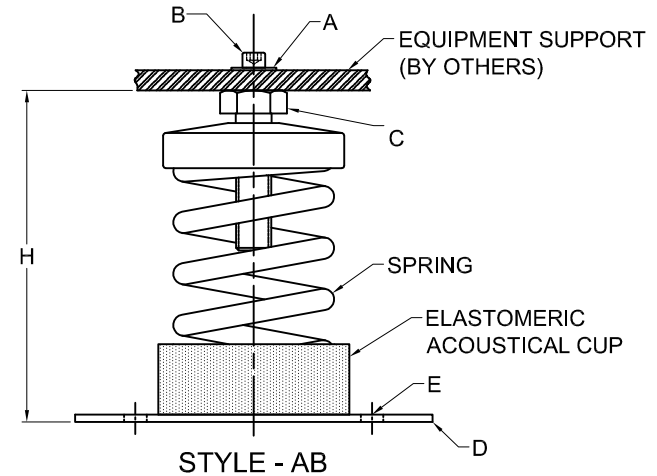
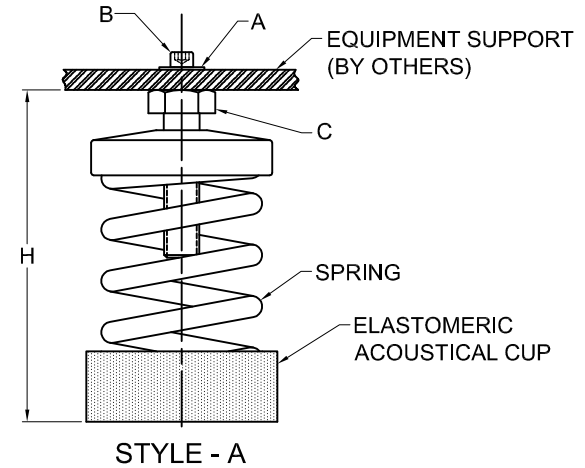
DRAWING NO.:

REVISION

REV.	DESCRIPTION	DATE	BY

INSTALLATION INSTRUCTION

- ISOLATORS ARE SHIPPED FULLY ASSEMBLED AND ARE TO BE SPACED AND ARRANGED IN ACCORDANCE WITH INSTALLATION DRAWINGS OR AS OTHERWISE RECOMMENDED.
- SET ISOLATORS ON FLOOR OR SUB-BASE, ENSURING THAT ALL ISOLATOR CENTERLINES MATCH THE EQUIPMENT MOUNTING HOLES OR SPACE AND ARRANGE ISOLATORS IN ACCORDANCE WITH THE INSTALLATION DRAWING . SHIM OR GROUT AS REQUIRED LEVELING ALL ISOLATOR BASE PLATES AT THE SAME ELEVATION (1/4" MAXIMUM DIFFERENCE IN ELEVATION CAN BE TOLERATED). ISOLATOR BASE MUST REST ON A FLAT SURFACE.
- DESIGNATION OF ISOLATORS IS SHOWN ON TAG / LABEL ATTACHED TO EACH ISOLATOR OR ISOLATORS MAY BE IDENTIFIED BY SIZE OF BASE PLATE AND/OR SPRING COLOR CODE.
- IF FLOOR FASTENING IS REQUIRED, PLACE MOUNT AS INDICATED ON NOTE 1 THRU 3 AND ANCHOR USING (2) ANCHOR "E" THRU HOLES ON STEEL PLATE "D" (APPLIES ONLY TO **STYLE AB** MOUNT).
- REMOVE CAP SCREW "B" AND WASHER "A" FROM ADJUSTING BOLT "C", TURN ADJUSTING BOLT "C" COUNTER-CLOCKWISE TO SET "H" FOR ALL ISOLATORS.
- POSITION EQUIPMENT OVER THE ISOLATORS, ALIGN MOUNT ADJUSTING BOLT "C" TO EQUIPMENT BASE MOUNTING THRU HOLES.
- LOWER EQUIPMENT UNTIL IT REST ON ADJUSTING BOLT "C" (SPRING WILL COMPRESS)
- INSERT CAP SCREW "B" AND WASHER "A" ON ADJUSTING BOLT "C". DO NOT TIGHTEN.
- LEVEL EQUIPMENT BY TURNING ADJUSTING BOLT "C" AS REQUIRED
- TIGHTEN CAP SCREW "B". INSTALLATION IS COMPLETE



OTHER MATERIALS, COMPOUNDS, OR FINISHES WITH EQUAL OR SUPERIOR PROPERTIES MAY BE SUBSTITUTED AS THEY BECOME AVAILABLE.

CERTIFIED FOR:

JOB NAME: _____
 CUSTOMER: _____
 CUSTOMER P.O.: _____
 SALES ORDER: _____

**MODEL A-2E & AB-2E 80-2700 LBS.
 OPEN SPRING-FLEX ISOLATORS
 2 INCH DEFLECTION**



THE VMC GROUP
The Power of Together
 Bloomingdale, NJ 07403
 Houston, TX 77041

SCALE: NONE

SHEET: _____

DRAWING NO.: _____



REVISION