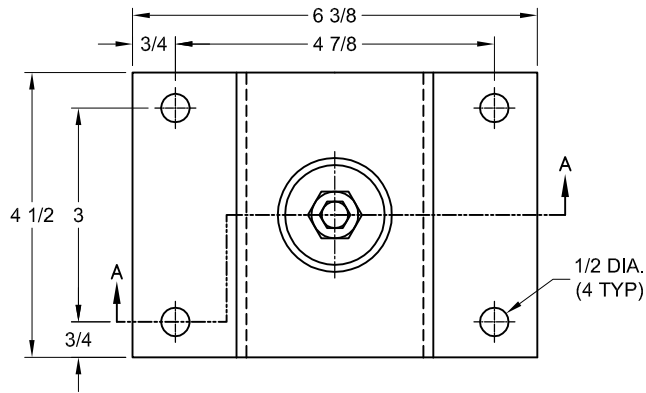
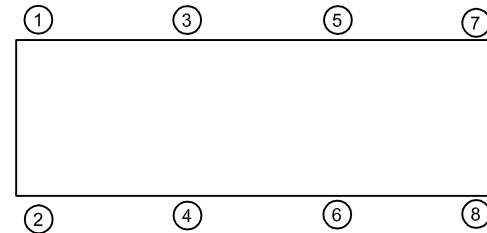
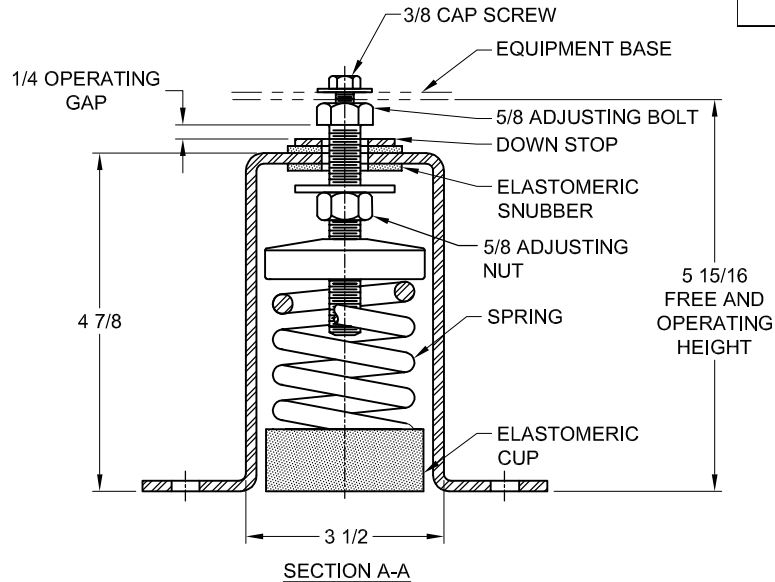


| REV. | DESCRIPTION | DATE | BY |
|------|-------------|------|----|
| | | | |



| TYPE ASCM-1B SEISMIC ISOLATORS FOR NOMINAL 1" DEFLECTION | | | | |
|--|----------------|-----------------|---------------------|-------------------|
| MODEL | MAX LOAD (LBS) | DEFLECTION (IN) | SPRING RATE (LB/IN) | SPRING COLOR CODE |
| ASCM-1B-20 | 20 | 1.25 | 16 | DK BLUE |
| ASCM-1B-35 | 35 | 1.17 | 30 | BLACK |
| ASCM-1B-50 | 50 | 1.11 | 45 | RED |
| ASCM-1B-70 | 70 | 0.88 | 80 | DK GREEN |
| ASCM-1B-85 | 85 | 0.81 | 105 | GRAY |



| ISOLATOR SELECTIONS | |
|----------------------|--------|
| LOC 1: | LOC 2: |
| LOC 3: | LOC 4: |
| LOC 5: | LOC 6: |
| LOC 7: | LOC 8: |
| CUSTOMER EQP'T. TAG: | |

NOTES:

- STANDARD ISOLATOR FINISH: HOUSING AND CASTING- ONE COAT BLACK PAINT, SPRING- POWDER COAT, HARDWARE- ZINC ELECTROPLATE.
- STATIC LOAD RATINGS ON SHEET 2 OF 2 ARE FOR GUIDANCE ONLY.
- RATED DEFLECTIONS ARE WITHIN 25% OF NOMINAL. HIGHER DEFLECTIONS ARE ALLOWED IF THEY MEET SPECIFICATIONS.

NOTE: MATERIAL SHOWN IS FOR (1) SET.

OTHER MATERIALS, COMPOUNDS, OR FINISHES WITH EQUAL OR SUPERIOR PROPERTIES MAY BE SUBSTITUTED AS THEY BECOME AVAILABLE.

CERTIFIED FOR:

JOB NAME: _____
 CUSTOMER : _____
 CUSTOMER P.O.: _____
 SALES ORDER: _____

**MODEL ASCM-1B 20-85 LBS.
 SEISMIC ISOLATORS
 1 INCH DEFLECTION**



THE VMC GROUP
The Power of Together
 Bloomingdale, NJ 07403
 Houston, TX 77041

SCALE :
NONE
 SHEET:



DRAWING NO.: _____ REVISION

| REV. | DESCRIPTION | DATE | BY |
|------|-------------|------|----|
| | | | |

INSTALLATION INSTRUCTION FOR VMC SERIES ASCM

- ISOLATORS ARE SHIPPED FULLY ASSEMBLED AND ARE TO BE SPACED AND ARRANGED IN ACCORDANCE WITH INSTALLATION DRAWINGS OR AS OTHERWISE RECOMMENDED. MOUNT SHOULD BE ORIENTED WITH THE SPRING FACING OUTWARD FROM EQUIPMENT OR BASE.
- TO FACILITATE INSTALLATION, PRIOR TO INSTALLING, THE VMC GROUP RECOMMENDS TURNING THE ADJUSTING BOLT SO THAT THE "OPERATING GAP" IS APPROXIMATELY 1" TO 1 1/2" FOR 1" DEFLECTION MOUNTS.
- SET ISOLATORS ON SUB BASE. SHIM AND OR GROUT AS REQUIRED, LEVELING ALL ISOLATOR BASES AT THE SAME ELEVATION (1/4" MAXIMUM DIFFERENCE IN ELEVATION CAN BE TOLERATED). ISOLATOR BASE MUST REST ON A FLAT SURFACE.
- ANCHOR ALL ISOLATORS TO FLOOR OR SUB BASE USING ISOLATOR BASE THRU HOLES AS REQUIRED. FOR INSTALLING ON CONCRETE THE VMC GROUP RECOMMENDS HILTI TYPE HSL HEAVY-DUTY ANCHORS OR EQUAL.
- REMOVE CAP SCREW AND SAVE. GENTLY PLACE MACHINE OR MACHINE BASE ON TOP OF ADJUSTING BOLT. INSTALL CAP SCREW, BUT DO NOT TIGHTEN.
- THE WEIGHT OF THE MACHINE WILL CAUSE THE SPRING AND THE ADJUSTMENT BOLT TO DESCEND.
- ADJUST ALL ISOLATORS BY TURNING THE ADJUSTMENT BOLT AND NUT SO THAT THE OPERATING CLEARANCE AND GAP IS APPROXIMATELY 1/4".
- FINE TUNE AND ADJUST TO LEVEL EQUIPMENT.
- TIGHTEN CAP SCREW. INSTALLATION IS COMPLETE.

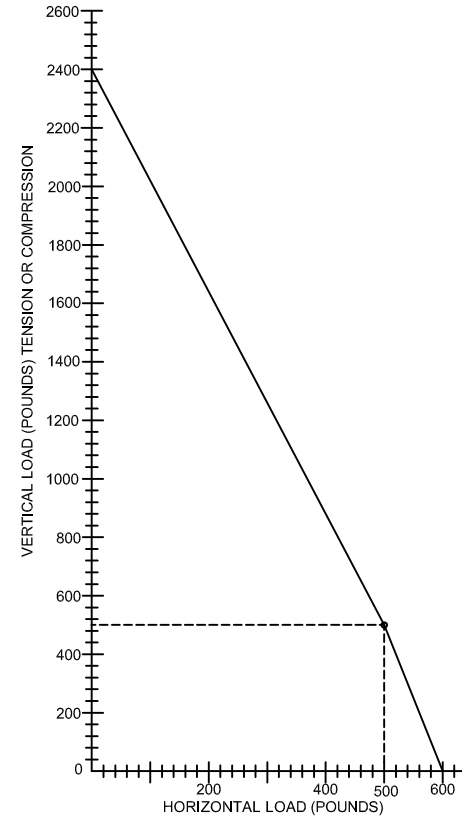


FIGURE 1
RATED LOADS FOR
ASCM-1B-20 THRU -1B-85
 (SEE SHEET 1 FOR STATIC RATED LOADS)

OTHER MATERIALS, COMPOUNDS, OR FINISHES WITH EQUAL OR SUPERIOR PROPERTIES MAY BE SUBSTITUTED AS THEY BECOME AVAILABLE.

CERTIFIED FOR:

JOB NAME: _____

CUSTOMER : _____

CUSTOMER P.O.: _____

SALES ORDER: _____

MODEL ASCM-1B 20-85 LBS.
SEISMIC ISOLATORS
1 INCH DEFLECTION



THE VMC GROUP
The Power of Together
 Bloomingdale, NJ 07403
 Houston, TX 77041

SCALE :
 NONE

SHEET:



DRAWING NO.: _____

REVISION