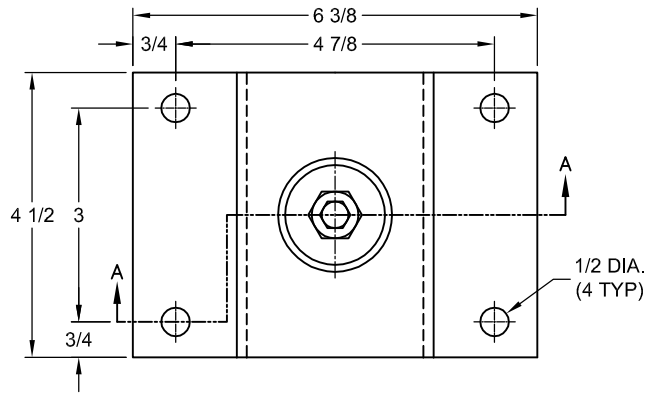


REV.	DESCRIPTION	DATE	BY

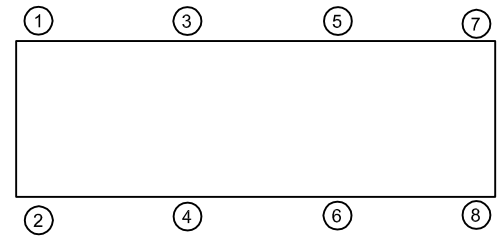
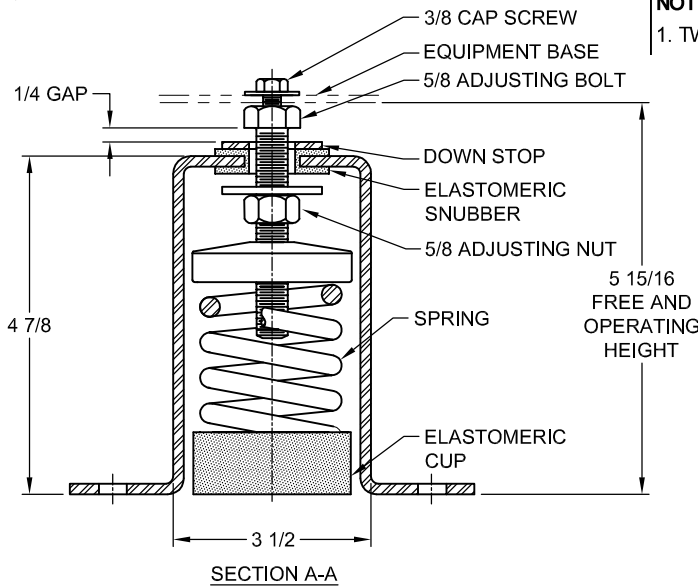


**TYPE ASCM-1C SEISMIC ISOLATORS FOR NOMINAL 1" DEFLECTION**

MODEL	MAX LOAD (LBS)	DEFLECTION (IN)	SPRING RATE (LB/IN)	SPRING COLOR CODE
ASCM-1C-50	50	1.00	50	BLUE
ASCM-1C-100	100	1.00	100	TAN
ASCM-1C-150	150	1.00	150	RED
ASCM-1C-250	250	0.83	300	BLACK
ASCM-1C-300	300	0.75	400	DK YELLOW
ASCM-1C-370	370	0.75	493	YELLOW
ASCM-1C-520N <sup>1</sup>	520	0.75	693	YELLOW/GREEN

**NOTES:**

1. TWO NESTED SPRINGS YIELD THIS LOAD. THE COLOR CODE IS FOR OUTER SPRING/ INNER SPRING.



**NOTES:**

- STANDARD ISOLATOR FINISH: CASTING AND HOUSING- ONE COAT BLACK PAINT, SPRING- POWDER COAT, HARDWARE- ZINC ELECTROPLATE.
- STATIC LOAD RATINGS ON SHEET 2 OF 2 ARE FOR GUIDANCE ONLY.
- RATED DEFLECTIONS ARE WITHIN 25% OF NOMINAL. HIGHER DEFLECTIONS ARE ALLOWED IF THEY MEET SPECIFICATIONS.

**ISOLATOR SELECTIONS**

LOC 1:	LOC 2:
LOC 3:	LOC 4:
LOC 5:	LOC 6:
LOC 7:	LOC 8:
CUSTOMER EQP'T. TAG:	

NOTE: MATERIAL SHOWN IS FOR (1) SET.

OTHER MATERIALS, COMPOUNDS, OR FINISHES WITH EQUAL OR SUPERIOR PROPERTIES MAY BE SUBSTITUTED AS THEY BECOME AVAILABLE.

**CERTIFIED FOR:**

JOB NAME: \_\_\_\_\_

CUSTOMER: \_\_\_\_\_

CUSTOMER P.O.: \_\_\_\_\_

SALES ORDER: \_\_\_\_\_

**MODEL ASCM-1C 50-520 LBS.  
SEISMIC ISOLATORS  
1 INCH DEFLECTION**



**THE VMC GROUP**  
*The Power of Together*  
Bloomingdale, NJ 07403  
Houston, TX 77041

SCALE: NONE

SHEET: \_\_\_\_\_



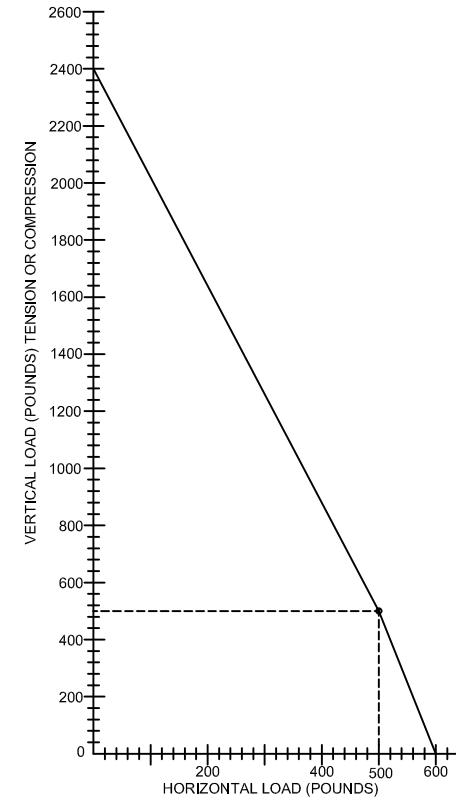
DRAWING NO.: \_\_\_\_\_

REVISION: \_\_\_\_\_

REV.	DESCRIPTION	DATE	BY



**INSTALLATION INSTRUCTION FOR VMC SERIES ASCM**

- ISOLATORS ARE SHIPPED FULLY ASSEMBLED AND ARE TO BE SPACED AND ARRANGED IN ACCORDANCE WITH INSTALLATION DRAWINGS OR AS OTHERWISE RECOMMENDED. MOUNT SHOULD BE ORIENTED WITH THE SPRING FACING OUTWARD FROM EQUIPMENT OR BASE.
- TO FACILITATE INSTALLATION, PRIOR TO INSTALLING, THE VMC GROUP RECOMMENDS TURNING THE ADJUSTING BOLT SO THAT THE "OPERATING GAP" IS APPROXIMATELY 1" TO 1 1/2" FOR 1" DEFLECTION MOUNTS.
- SET ISOLATORS ON SUB BASE. SHIM AND OR GROUT AS REQUIRED, LEVELING ALL ISOLATOR BASES AT THE SAME ELEVATION (1/4" MAXIMUM DIFFERENCE IN ELEVATION CAN BE TOLERATED). ISOLATOR BASE MUST REST ON A FLAT SURFACE.
- ANCHOR ALL ISOLATORS TO FLOOR OR SUB BASE USING ISOLATOR BASE THRU HOLES AS REQUIRED. FOR INSTALLING ON CONCRETE THE VMC GROUP RECOMMENDS HILTI TYPE HSL HEAVY-DUTY ANCHORS OR EQUAL.
- REMOVE CAP SCREW AND SAVE. GENTLY PLACE MACHINE OR MACHINE BASE ON TOP OF ADJUSTING BOLT. INSTALL CAP SCREW, BUT DO NOT TIGHTEN.
- THE WEIGHT OF THE MACHINE WILL CAUSE THE SPRING AND THE ADJUSTMENT BOLT TO DESCEND.
- ADJUST ALL ISOLATORS BY TURNING THE ADJUSTMENT BOLT AND NUT SO THAT THE OPERATING CLEARANCE AND GAP IS APPROXIMATELY 1/4".
- FINE TUNE AND ADJUST TO LEVEL EQUIPMENT.
- TIGHTEN CAP SCREW. INSTALLATION IS COMPLETE.



**FIGURE 1**  
**RATED LOADS FOR**  
**ASCM-1C-50 THRU -1C-520N**  
 (SEE SHEET 1 FOR STATIC RATED LOADS)

OTHER MATERIALS, COMPOUNDS, OR FINISHES WITH EQUAL OR SUPERIOR PROPERTIES MAY BE SUBSTITUTED AS THEY BECOME AVAILABLE.

<b>CERTIFIED FOR:</b> JOB NAME: _____ CUSTOMER : _____ CUSTOMER P.O.: _____ SALES ORDER: _____	<b>MODEL ASCM-1C 50-520 LBS.</b> <b>SEISMIC ISOLATORS</b> <b>1 INCH DEFLECTION</b>	 <b>THE VMC GROUP</b> <i>The Power of Together</i> Bloomingdale, NJ 07403 Houston, TX 77041	SCALE : NONE	
			SHEET:	