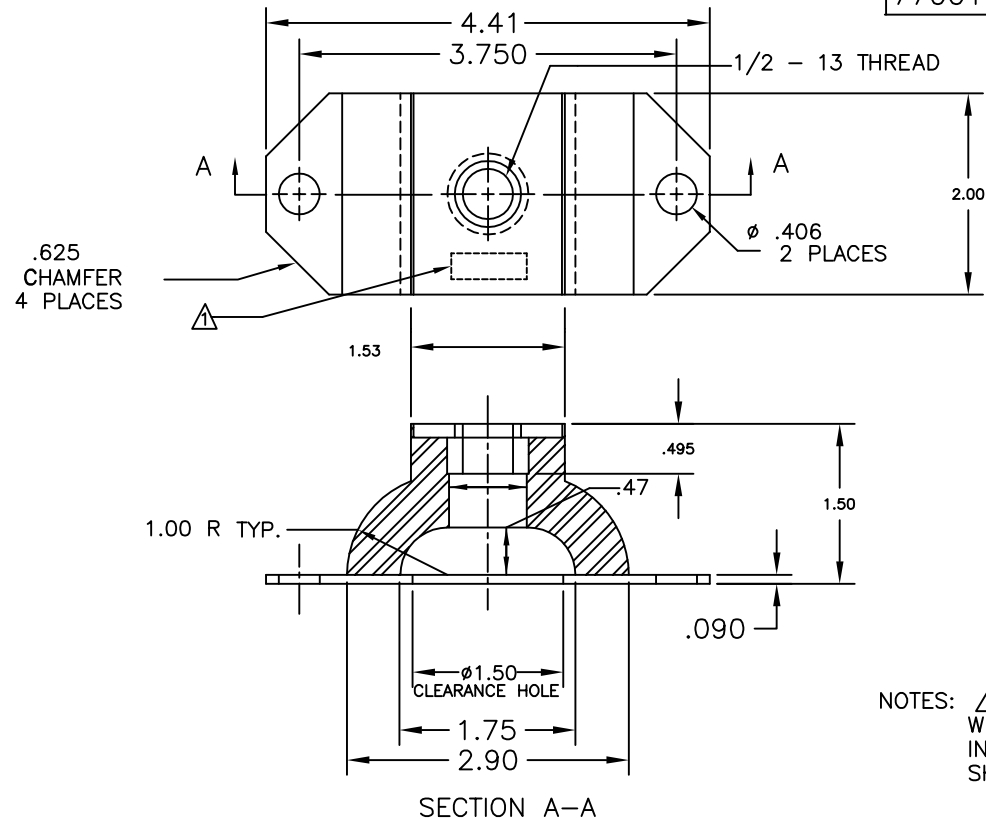


109R-103711 REV.: 1

REV.	DESCRIPTION	DATE	BY

PART NO.	MODEL NO.	COMPOUND	DURO	AXIAL STATIC LOAD	COLOR
770015-1	BM1-01	NEOPRENE	48	30-60	YELLOW
770015-2	BM1-02	NEOPRENE	56	50-100	WHITE
770015-3	BM1-03	NEOPRENE	64	65-130	GREEN



NOTES: MARK MODEL NUMBER WITH .12 HIGH CHARACTERS IN APPROXIMATE LOCATION SHOWN.

OTHER MATERIALS, COMPOUNDS, OR FINISHES WITH EQUAL OR SUPERIOR PROPERTIES MAY BE SUBSTITUTED AS THEY BECOME AVAILABLE.

CERTIFIED FOR:

JOB NAME: _____
 CUSTOMER: _____
 CUSTOMER P.O.: _____
 SALES ORDER: _____

**MODEL BM1 30-130 LBS.
 ELASTOMERIC BUCKLING ISOLATOR**



THE VMC GROUP
The Power of Together
 Bloomingdale, NJ 07403
 Houston, TX 77041

SCALE: NONE

SHEET: _____

DRAWING NO.: _____

REVISION _____

