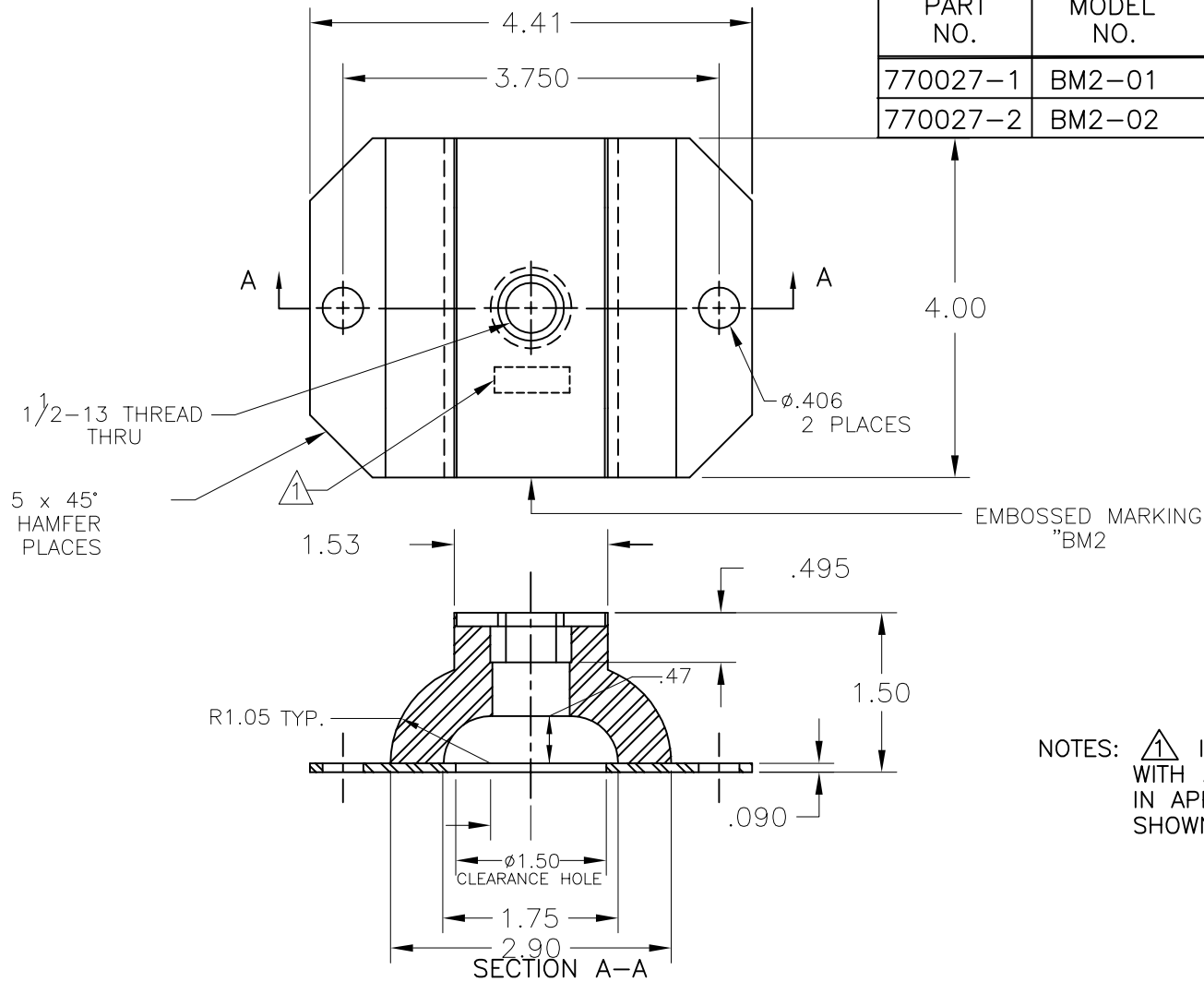



109R-103712 REV.: 1

REV.	DESCRIPTION	DATE	BY

PART NO.	MODEL NO.	COMPOUND	DURO	AXIAL STATIC LOAD
770027-1	BM2-01	NEOPRENE	56	100-200
770027-2	BM2-02	NEOPRENE	64	130-260



NOTES:  INK STAMP MODEL NO. WITH .12 HIGH CHARACTERS IN APPROXIMATE LOCATION SHOWN.

OTHER MATERIALS, COMPOUNDS, OR FINISHES WITH EQUAL OR SUPERIOR PROPERTIES MAY BE SUBSTITUTED AS THEY BECOME AVAILABLE.

**CERTIFIED FOR:**

JOB NAME: \_\_\_\_\_  
 CUSTOMER : \_\_\_\_\_  
 CUSTOMER P.O.: \_\_\_\_\_  
 SALES ORDER: \_\_\_\_\_

**MODEL BM2 100-260 LBS.  
 ELASTOMERIC BUCKLING ISOLATOR**



**THE VMC GROUP**  
*The Power of Together*  
 Bloomingdale, NJ 07403  
 Houston, TX 77041

SCALE :

NONE

SHEET:



DRAWING NO.:

REVISION