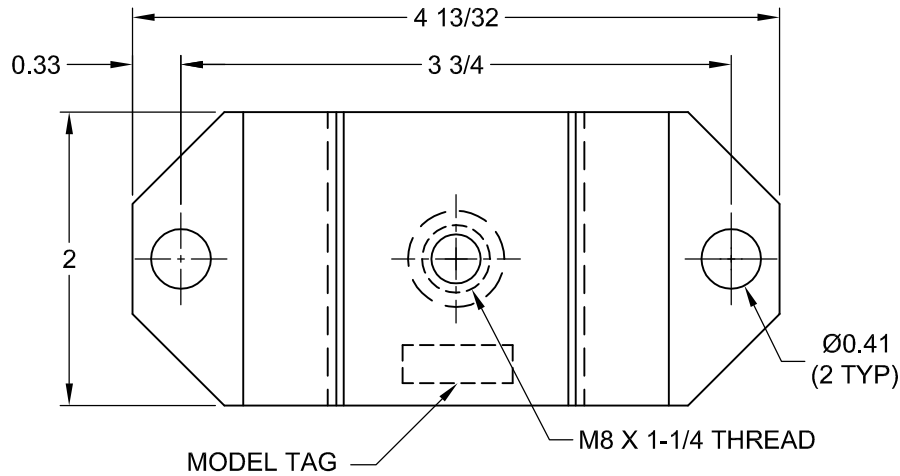
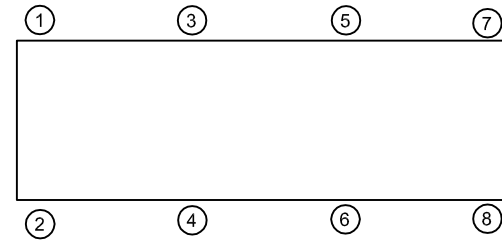
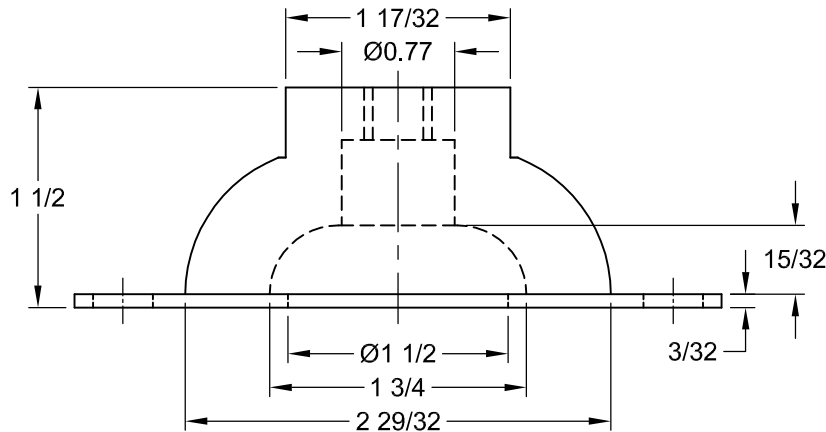


REV.	DESCRIPTION	DATE	BY



MODEL BMX1M ELASTOMERIC BUCKLING ISOLATOR M8-METRIC THREAD				
MODEL NO.	SHORE A DUROMETER	RATED LOAD (LBS)	COLOR	COMPOUND
BMX1M-01	40 DURO	60	BLACK	BRIDGE BEARING NEOPRENE
BMX1M-02	50 DURO	100	BLACK	BRIDGE BEARING NEOPRENE
BMX1M-03	60 DURO	130	BLACK	BRIDGE BEARING NEOPRENE
BMX1M-04	40 DURO	60	BLACK	NITRILE



ISOLATOR SELECTIONS	
LOC 1:	LOC 2:
LOC 3:	LOC 4:
LOC 5:	LOC 6:
LOC 7:	LOC 8:
CUSTOMER EQP'T. TAG:	

NOTE: MATERIAL SHOWN IS FOR (1) SET.

OTHER MATERIALS, COMPOUNDS, OR FINISHES WITH EQUAL OR SUPERIOR PROPERTIES MAY BE SUBSTITUTED AS THEY BECOME AVAILABLE.

NOTES:

1. ALL DIMENSIONS ARE IN INCHES. INTERPRET PER ANSI Y-14.
2. ALL DIMENSIONS ARE NOMINAL AND FOR REFERENCE ONLY.
3. ACTUAL DUROMETER RATING IS ± 5 DURO.

CERTIFIED FOR:

JOB NAME: _____
 CUSTOMER : _____
 CUSTOMER P.O.: _____
 SALES ORDER: _____

**MODEL BMX1M 60-130 LBS.
 ELASTOMERIC BUCKLING ISOLATOR
 M8-METRIC THREAD**



THE VMC GROUP
The Power of Together
 Bloomingdale, NJ 07403
 Houston, TX 77041

SCALE :

NONE

SHEET:



DRAWING NO.:

REVISION