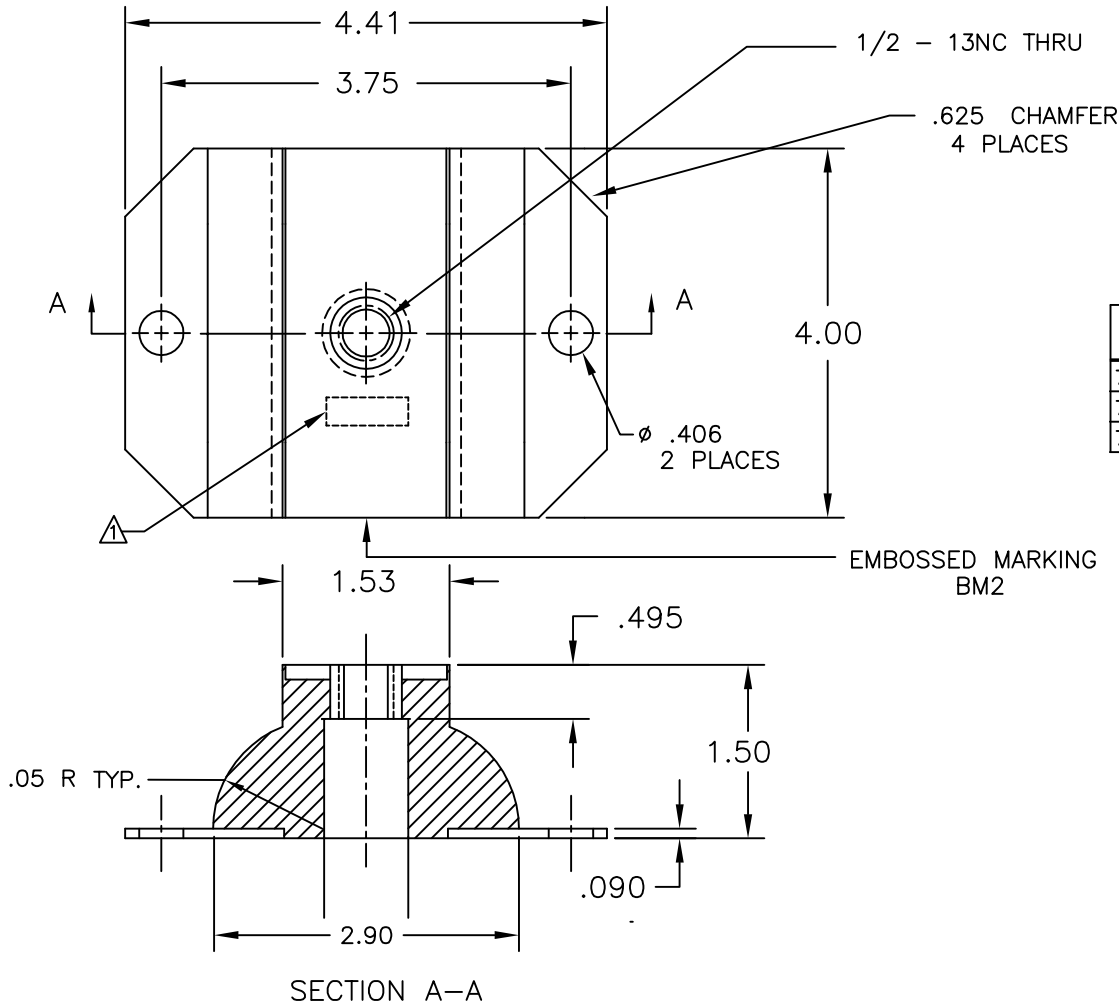



189R-103713 REV.: 1

| REV. | DESCRIPTION | DATE | BY |
|------|-------------|------|----|
|      |             |      |    |



| PART NO. | MODEL NO. | COMPOUND | DURO | AXIAL STATIC LOAD | COLOR  |
|----------|-----------|----------|------|-------------------|--------|
| 770107-1 | BMX2-01   | NEOPRENE | 44   | 175-350           | YELLOW |
| 770107-2 | BMX2-02   | NEOPRENE | 52   | 250-500           | WHITE  |
| 770107-3 | BMX2-03   | NEOPRENE | 60   | 350-700           | GREEN  |

NOTES:  INK STAMP MODEL NO. WITH .12 HIGH CHARACTERS IN APPROXIMATE LOCATION SHOWN.

OTHER MATERIALS, COMPOUNDS, OR FINISHES WITH EQUAL OR SUPERIOR PROPERTIES MAY BE SUBSTITUTED AS THEY BECOME AVAILABLE.

**CERTIFIED FOR:**

JOB NAME: \_\_\_\_\_  
 CUSTOMER: \_\_\_\_\_  
 CUSTOMER P.O.: \_\_\_\_\_  
 SALES ORDER: \_\_\_\_\_

**MODEL BMX2 175-700 LBS.  
 ELASTOMERIC BUCKLING ISOLATOR**



**THE VMC GROUP**  
*The Power of Together*  
 Bloomingdale, NJ 07403  
 Houston, TX 77041

SCALE:

NONE

SHEET:



DRAWING NO.:

REVISION