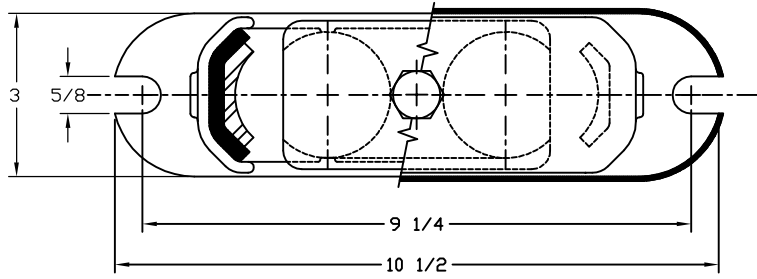
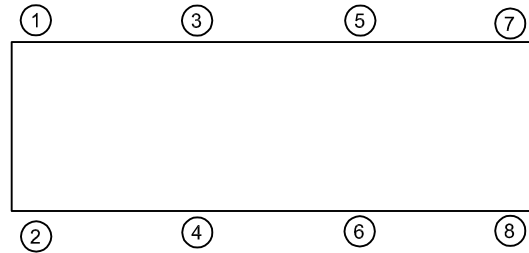
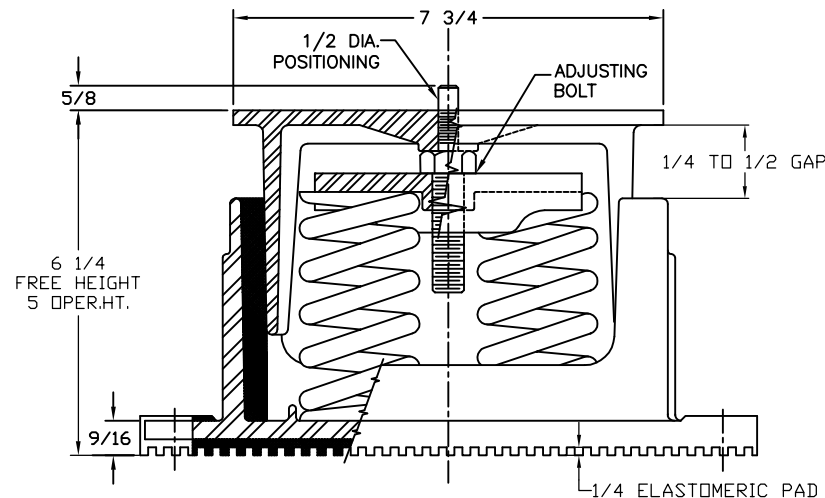


REV.	DESCRIPTION	DATE	BY



TYPE C2P-1D IRON SPRING-FLEX ISOLATORS WITH POSITIONING PIN				
MODEL	MAX LOAD (LBS)	DEFLECTION (IN)	SPRING RATE (LB/IN)	SPRING COLOR CODE
C2P-1D-680	680	1.13	600	RED
C2P-1D-1020	1020	1.02	1000	BLACK
C2P-1D-1350	1350	1.32	1026	DK PURPLE
C2P-1D-1800	1800	1.02	1762	DK GREEN
C2P-1D-2400	2400	0.90	2654	GRAY
C2P-1D-2720	2720	0.77	3516	WHITE
C2P-1D-3570N ¹	3570	0.88	4058	GRAY/RED

NOTES:
 1. TWO NESTED SPRINGS YIELD THIS LOAD. THE COLOR CODE IS FOR OUTER SPRING/INNER SPRING.



ISOLATOR SELECTIONS	
LOC 1:	LOC 2:
LOC 3:	LOC 4:
LOC 5:	LOC 6:
LOC 7:	LOC 8:
CUSTOMER EQPT. TAG:	

NOTE: MATERIAL SHOWN IS FOR (1) SET.

OTHER MATERIALS, COMPOUNDS, OR FINISHES WITH EQUAL OR SUPERIOR PROPERTIES MAY BE SUBSTITUTED AS THEY BECOME AVAILABLE.

- NOTES:
- ALL DIMENSIONS ARE IN INCHES. INTERPRET PER ANSI Y-14.
 - FINISH: HOUSINGS CAST IRON- ONE COAT BLACK PAINT, SPRINGS- POWDER COAT, HARDWARE- ZINC ELECTROPLATE.
 - REFER TO DRAWING 2 OF 2 FOR INSTALLATION INSTRUCTIONS.
 - INNER SPRING (WHEN USED) NOT SHOWN.
 - ALL SPRINGS ARE DESIGNED WITH 50% OVER-TRAVEL.
 - RATED DEFLECTIONS ARE WITHIN 25% OF NOMINAL. HIGHER DEFLECTIONS ARE ALLOWED IF THEY MEET SPECIFICATIONS.

CERTIFIED FOR:

JOB NAME: _____

CUSTOMER : _____

CUSTOMER P.O.: _____

SALES ORDER: _____

**MODEL C2P-1D 680-3570 LBS.
 HOUSED SPRING-FLEX ISOLATORS
 SNUBBED WITH POSITIONING PIN
 1 INCH DEFLECTION**



THE VMC GROUP
The Power of Together
 Bloomingdale, NJ 07403
 Houston, TX 77041

SCALE: NONE

SHEET: 1 OF 2

DRAWING NO.: _____

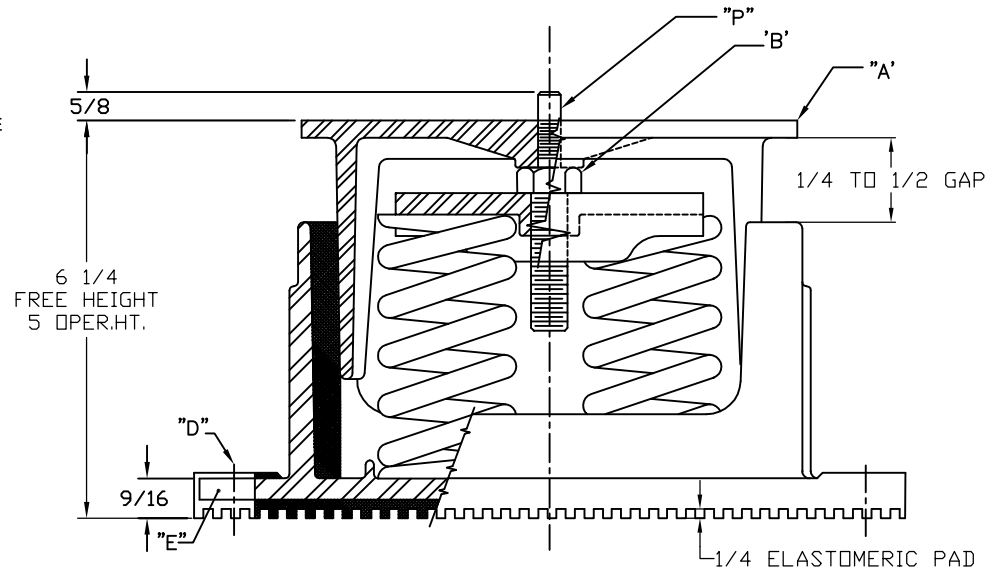
REVISION: _____

Member VISCOMA

REV.	DESCRIPTION	DATE	BY

INSTALLATION INSTRUCTION

- ISOLATORS ARE SHIPPED FULLY ASSEMBLED AND ARE TO BE SPACED AND ARRANGED IN ACCORDANCE WITH INSTALLATION DRAWINGS OR AS OTHERWISE RECOMMENDED.
- SET ISOLATORS ON FLOOR OR SUB-BASE, ENSURING THAT ALL ISOLATOR CENTERLINES MATCH THE EQUIPMENT ISOLATING HOLES. SHIM OR GROUT AS REQUIRED LEVELING ALL ISOLATOR BASE PLATES "E" AT THE SAME ELEVATION (1/4" MAXIMUM DIFFERENCE IN ELEVATION CAN BE TOLERATED). ISOLATOR BASE PLATES MUST REST ON A FLAT SURFACE.
- ONCE ISOLATORS ARE IN POSITON, PLACE BLOCKING ALONGSIDE ISOLATOR. BLOCKING HEIGHT SHOULD BE EQUIVALENT TO THE FREE HEIGHT OF THE ISOLATOR AND BE CAPABLE OF SUPPORTING EQUIPMENT WEIGHT.
- UNLESS SPECIFIED, ISOLATORS NEED NOT TO BE FASTENED TO THE FLOOR IN ANY WAY. IF REQUIRED, BOLT ISOLATORS TO FLOOR THROUGH SLOTS "D". RECOMMENDED MAXIMUM TORQUING OF THE ISOLATOR BASE ANCHORS TO 5FT-# AFTER EQUIPMENT IS INSTALLED.
- ALIGN EQUIPMENT INSTALLATION HOLE TO TOP HOUSING TAPPED PIN.
- PLACE MACHINE OR EQUIPMENT ONTO TOP PLATE "A" OF ISOLATOR, ENSURING THAT THE PIN "P" IS INSERTED INTO THE EQUIPMENT INSTALLATION HOLES. THE WEIGHT OF THE MACHINE MAY CAUSE THE UPPER HOUSING TO GO DOWN.
- ADJUST EACH ISOLATOR IN SEQUENCE; SCREW DOWN ONE COMPLETE TURN ON THE ADJUSTING BOLT "B" OF EACH ISOLATOR UNTIL EQUIPMENT IS RAISED ABOVE BLOCKING.
- AFTER THE MACHINE OR EQUIPMENT IS LEVEL AND LOADS ARE TRANSFERRED TO SPRINGS, REMOVE BLOCKING.
- TURN ADJUSTING BOLT "B" IN PLACE WITH WRENCH TO COMPLETE ADJUSTMENTS.
- INSTALLATION IS COMPLETE.



OTHER MATERIALS, COMPOUNDS, OR FINISHES WITH EQUAL OR SUPERIOR PROPERTIES MAY BE SUBSTITUTED AS THEY BECOME AVAILABLE.

CERTIFIED FOR:

JOB NAME: _____
 CUSTOMER : _____
 CUSTOMER P.O.: _____
 SALES ORDER: _____

**MODEL C2P-1D 680-3570 LBS.
 HOUSED SPRING-FLEX ISOLATORS
 SNUBBED WITH POSITIONING PIN
 1 INCH DEFLECTION**



THE VMC GROUP
The Power of Together
 Bloomingdale, NJ 07403
 Houston, TX 77041

SCALE :
 NONE
 SHEET:
 2 OF 2



DRAWING NO.: _____ REVISION