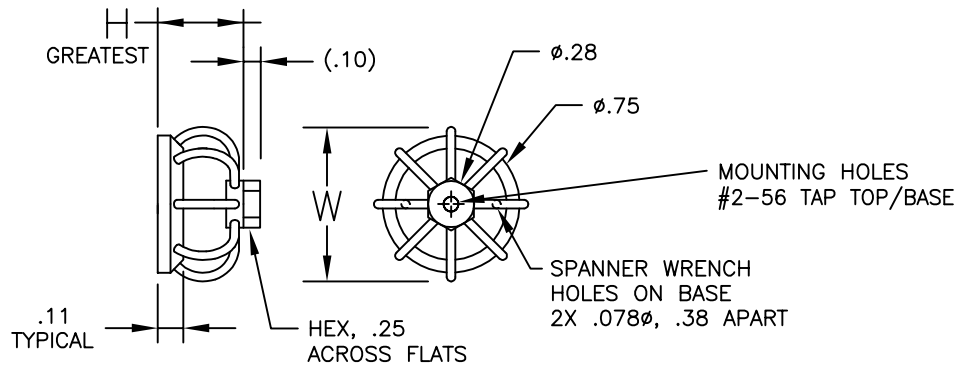


CA1 SERIES

.029" WIRE ROPE



(APPLIES WITH SPACER TO PREVENT
CABLES FROM CONTACTING EQUIPMENT)

ISOLATOR PART NO.	NOMINAL DIMENSIONS (in)		LOAD MODE	SHOCK AVERAGE K (lb/in)	VIBRATION AVERAGE K (lb/in)	MAX. RATED DYNAMIC TRAVEL (in)
	H NOMINAL	W(REF)				
CA1-075-08-T2	.55	.90	COMPRESSION	7.0	17.0	.17
			SHEAR	13.0	7.0	.20
			45 DEG. C/R	T.B.D.*	T.B.D.*	T.B.D.*
CA1-088-08-T2	.65	.95	COMPRESSION	6.2	13.0	.35
			SHEAR	7.5	5.0	.30
			45 DEG. C/R	T.B.D.*	T.B.D.*	T.B.D.*
CA1-100-08-T2	.75	1.00	COMPRESSION	2.5	6.5	.50
			SHEAR	2.0	2.0	.40
			45 DEG. C/R	T.B.D.*	T.B.D.*	T.B.D.*

SEE ALSO CAX1 SERIES

*CURRENTLY UNDER ENGINEER REVIEW. CONTACT THE VMC GROUP FOR AVAILABILITY

OTHER MATERIALS, COMPOUNDS, OR FINISHES WITH EQUAL OR SUPERIOR PROPERTIES MAY BE SUBSTITUTED AS THEY BECOME AVAILABLE.

CERTIFIED FOR:

JOB NAME: _____
 CUSTOMER : _____
 CUSTOMER P.O.: _____
 SALES ORDER: _____

**MODEL CA1 SERIES
 ALUMINUM ARCH WIRE ROPE
 ISOLATOR**



THE VMC GROUP
The Power of Together
 Bloomingdale, NJ 07403
 Houston, TX 77041

SCALE :

NONE

SHEET:



DRAWING NO.:

REVISION