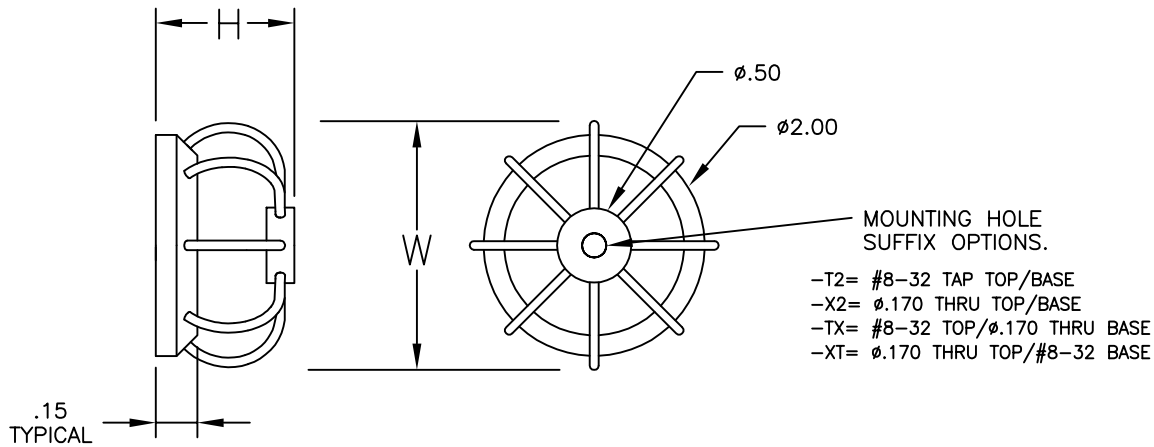


REV.	DESCRIPTION	DATE	BY

CA2L SERIES

1/16" WIRE ROPE



* CROSSED CABLE NOT PICTURED

ISOLATOR PART NO.	NOMINAL DIMENSIONS (in)		LOAD MODE	SHOCK AVERAGE K (lb/in)	VIBRATION AVERAGE K (lb/in)	MAX. RATED DYNAMIC TRAVEL (in)
	H \pm .03	W(REF)				
CA2L-150-08-[]	.95	2.13	COMPRESSION	26	80	.20
			SHEAR	18	20	.20
			45 DEG. C/R	18	60	.30
CA2L-200-08-[]	1.35	2.38	COMPRESSION	10	30	.30
			SHEAR	5	6	.40
			45 DEG. C/R	5	20	.50
CA2L-250-08-[]	1.75	2.63	COMPRESSION	5	14	.40
			SHEAR	2	4	.60
			45 DEG. C/R	2	8	.80
CAX2L-[] (CROSSED CABLE)	1.15	2.65	COMPRESSION	6	20	.36
			SHEAR	7	10	.32
			45 DEG. C/R	4	14	.60

OTHER MATERIALS, COMPOUNDS, OR FINISHES WITH EQUAL OR SUPERIOR PROPERTIES MAY BE SUBSTITUTED AS THEY BECOME AVAILABLE.

CERTIFIED FOR:
 JOB NAME: _____
 CUSTOMER: _____
 CUSTOMER P.O.: _____
 SALES ORDER: _____

**MODEL CA2L SERIES
 ALUMINUM ARCH WIRE ROPE
 ISOLATOR**



THE VMC GROUP
The Power of Together
 Bloomingdale, NJ 07403
 Houston, TX 77041

SCALE:
NONE
 SHEET:



DRAWING NO.: _____ REVISION