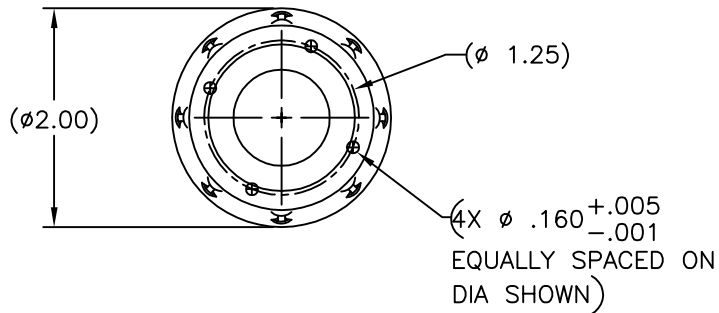
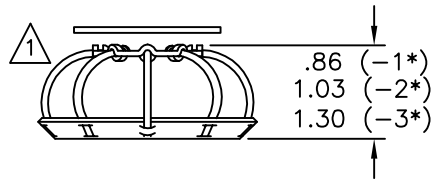
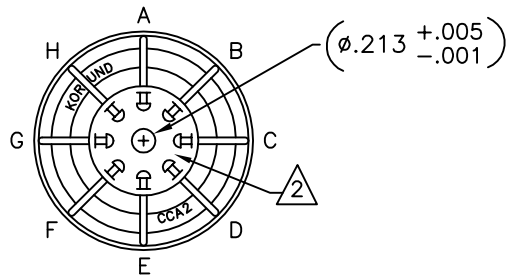


REV.	DESCRIPTION	DATE	BY



CCA2 SERIES - 1/16" WIRE ROPE					
MODEL #	HEIGHT, in.	LOAD MODE	KAVG SHOCK, lb/in.	KAVG VIBRATION, lb/in.	DYNAMIC Travel, in.
CCA2-1(*)	0.86	Compression (with spacer)	45	90	0.32
		Compression (without spacer)	70	90	0.32
		Shear	200	120	0.12
		45 deg. C/R	40	60	0.44
CCA2-2(*)	1.03	Compression (with spacer)	30	77	0.48
		Compression (without spacer)	38	77	0.48
		Shear	55	30	0.22
		45 deg. C/R	12	45	0.86
CCA2-3(*)	1.3	Compression (with spacer)	20	48	0.65
		Compression (without spacer)	25	48	0.65
		Shear	23	12	0.45
		45 deg. C/R	7	36	1.2

(*) REFLECTS THE NUMBER OF COILS WITH 8 BEING THE MAXIMUM. THE KAVG CURVES LISTED ARE BASED ON AN 8 COIL CONFIGURATION. TO FIND THE CORRECT KAVG AND LOADING, MULTIPLY BY (*)/8.

NOTES:

1. SPACER WASHER (P/N 148099-14) IS SHIPPED WITH EACH CCA2 MOUNT.

2. APPLY COLOR CODES AT LOCATION INDICATED.

OTHER MATERIALS, COMPOUNDS, OR FINISHES WITH EQUAL OR SUPERIOR PROPERTIES MAY BE SUBSTITUTED AS THEY BECOME AVAILABLE.

CERTIFIED FOR:

JOB NAME: _____
 CUSTOMER : _____
 CUSTOMER P.O.: _____
 SALES ORDER: _____

**MODEL CCA2 SERIES
 STEEL ARCH WIRE ROPE ISOLATOR**



THE VMC GROUP
The Power of Together
 Bloomingdale, NJ 07403
 Houston, TX 77041

SCALE :

NONE

SHEET:



DRAWING NO.:

REVISION