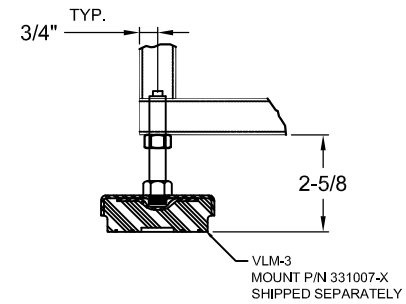
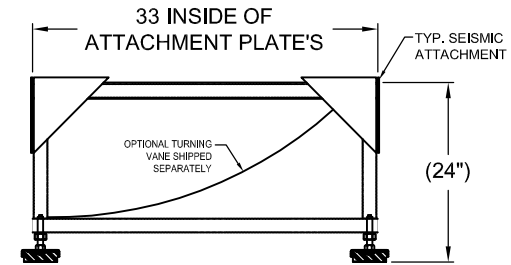
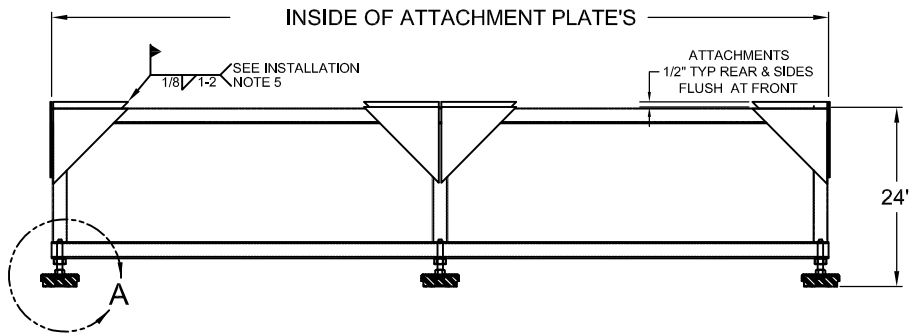
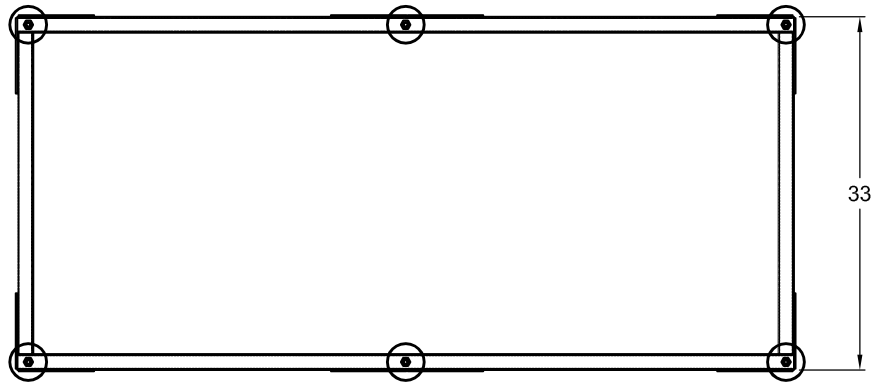


189R-103739 REV.: 1

REV.	DESCRIPTION	DATE	BY



DETAIL A
TYP.

NOTES:

1. FLOORSTANDS HAS BEEN DESIGNED TO WITHSTAND A MAX. SEISMIC LOAD OF 1.0 G'S (UBC ZONE 4, Z=0.4).
2. ANCHORS MUST BE EMBEDDED AT LEAST 3 1/2 " INTO THE STRUCTURAL SLAB.
3. SPECIAL INSPECTION OF THE ANCHOR BOLTS IS REQUIRED FOR ALL SEISMIC SPECIFICATIONS GREATER THAN 0.5 G'S.
4. SUPPORTED UNIT MUST BE FASTEN OR WELDED TO FLOORSTAND AS REQ'D. PER CODES TO MEET SEISMIC RATING.
5. TURNING VANE IS SHIPPED LOOSE AND MAY REQUIRE SOME FIELD CUT DURING FIELD INSTALLATION
6. DIMENSION IS FROM INSIDE (EDGE TO EDGE) OF ATTACHMENT PLATES
7. B.O. = BY OTHERS (NOT BY THE VMC GROUP)
8. FRAME SHALL BE PAINTED THE VMC GROUP COLOR.
9. FOR INSTALLATION INSTRUCTIONS SEE DRAWING 802003.

OTHER MATERIALS, COMPOUNDS, OR FINISHES WITH EQUAL OR SUPERIOR PROPERTIES MAY BE SUBSTITUTED AS THEY BECOME AVAILABLE.

CERTIFIED FOR:

JOB NAME: _____
 CUSTOMER : _____
 CUSTOMER P.O.: _____
 SALES ORDER: _____

**MODEL FLOORSTAND
 NON- ISOLATED, NON-SEISMIC
 FRAME WITH VLM ISOLATOR**



THE VMC GROUP
The Power of Together
 Bloomingdale, NJ 07403
 Houston, TX 77041

SCALE :

NONE

SHEET:



DRAWING NO.:

REVISION