

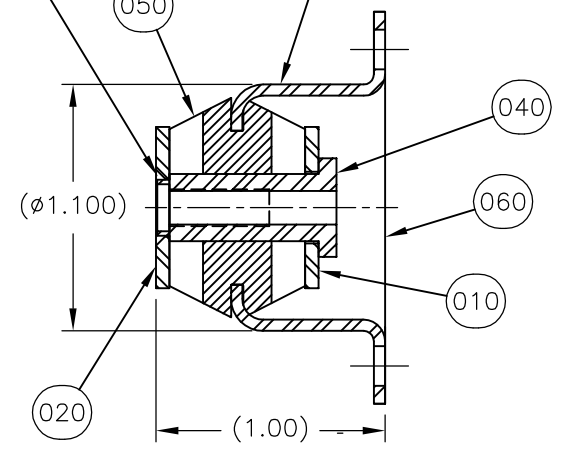
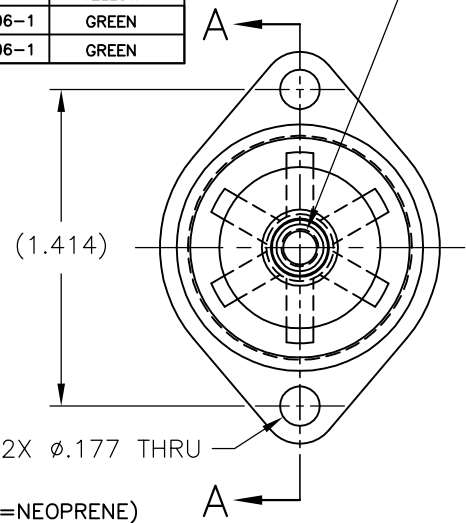
117R-103714 REV.: 1

REV.	DESCRIPTION	DATE	BY

PART NO.	MODEL NO.	ITEM 010 BOT. WSHR.	ITEM 020 TOP WSHR.	ITEM 040 CORE	ITEM 050 GROMMET	ITEM 060 CUP	COLOR CODE
770031-1	GC2-5TS	148100-1	148101-1	160099-1	790011-1	160106-1	RED
770031-2	GC2-7TS	148100-1	148101-1	160099-1	790011-2	160106-1	YELLOW
770031-3	GC2-10TS	148100-1	148101-1	160099-1	790011-3	160106-1	BLACK
770031-4	GC2-5HS	148100-1	148101-1	160099-2	790011-1	160106-1	RED
770031-5	GC2-7HS	148100-1	148101-1	160099-2	790011-2	160106-1	YELLOW
770031-6	GC2-10HS	148100-1	148101-1	160099-2	790011-3	160106-1	BLACK
770031-7	GC2-5TN	148100-1	148101-1	160099-1	790011-4	160106-1	RED
770031-8	GC2-7TN	148100-1	148101-1	160099-1	790011-5	160106-1	YELLOW
770031-9	GC2-10TN	148100-1	148101-1	160099-1	790011-6	160106-1	GREEN
770031-10	GC2-5HN	148100-1	148101-1	160099-2	790011-4	160106-1	RED
770031-11	GC2-7HN	148100-1	148101-1	160099-2	790011-5	160106-1	YELLOW
770031-12	GC2-10HN	148100-1	148101-1	160099-2	790011-6	160106-1	GREEN
770031-13	GC2-3TS	148100-1	148101-1	160099-1	790011-8	160106-1	GREEN

OPTIONAL  
.164-32 UNC-2B THREAD X .50 DEEP  
OR  $\phi$ .196 THRU.

SEE NOTE 1  
MARK MODEL NO.  
ON SIDE OF ITEM 060  
PER NOTE 2.

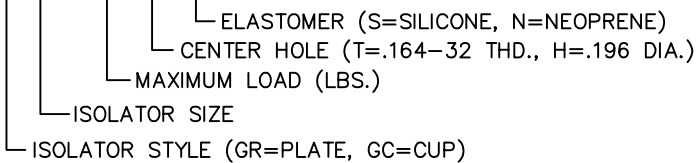


**NOTES:**

1- ASSEMBLE MOUNT PER PME-001

2- MARK MODEL NO. ON SURFACE SHOWN  
.09 HIGH PER MIL-STD-130, USING  
BLACK EPOXY INK

EXAMPLE: GC 2 - [ ] [ ] [ ]



3. ROHS COMPLIANT FINISH FROM REV D.

OTHER MATERIALS, COMPOUNDS, OR FINISHES WITH EQUAL OR SUPERIOR PROPERTIES MAY BE SUBSTITUTED AS THEY BECOME AVAILABLE.

**CERTIFIED FOR:**

JOB NAME: \_\_\_\_\_

CUSTOMER: \_\_\_\_\_

CUSTOMER P.O.: \_\_\_\_\_

SALES ORDER: \_\_\_\_\_

**MODEL GC2 3-10 LBS  
ELASTOMERIC CUP ISOLATOR**



**THE VMC GROUP**  
The Power of Together  
Bloomingdale, NJ 07403  
Houston, TX 77041

SCALE :  
NONE

SHEET:



DRAWING NO.: \_\_\_\_\_ REVISION