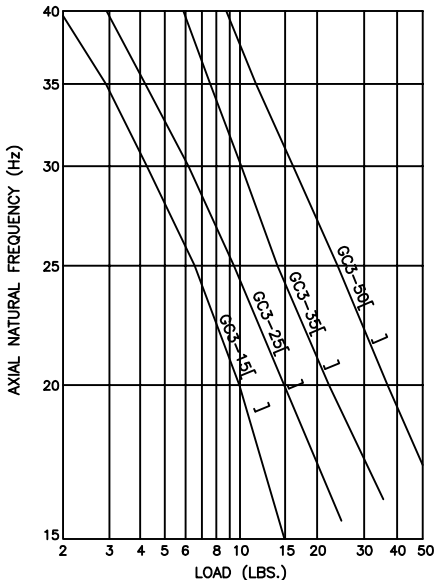
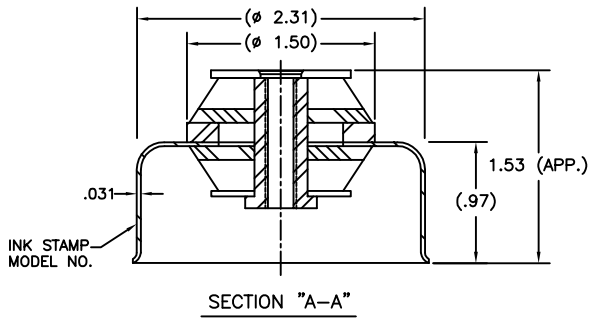
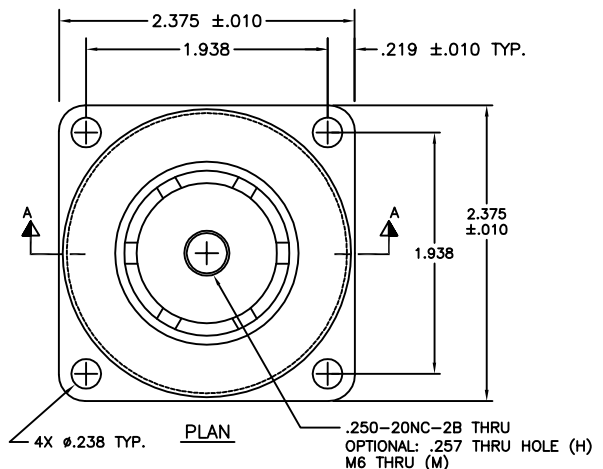


REV.	DESCRIPTION	DATE	BY



NOTES:

- 1. ROHS COMPLIANT FINISH FROM REV C.

LOAD RATING/MODEL NUMBER				
MAX. LOAD/MOUNT (LBS.)		CUP TYPE TAPPED CORE	CUP TYPE THRU HOLE	CUP TYPE M6 TAPPED
STATIONARY	VEHICULAR			
15	7	GC3-15T( )	GC3-15H( )	GC3-15M( )
25	11	GC3-25T( )	GC3-25H( )	GC3-25M( )
35	17	GC3-35T( )	GC3-35H( )	GC3-35M( )
50	30	GC3-50T( )	GC3-50H( )	GC3-50M( )

FILL-IN ( ): S=SILICONE OR N=NEOPRENE

770029-24	GC3-50MS	148101-2	148100-2	160103-3	160102-1	790012-8
770029-23	GC3-35MS	148101-2	148100-2	160103-3	160102-1	790012-7
770029-22	GC3-25MS	148101-2	148100-2	160103-3	160102-1	790012-6
770029-21	GC3-15MS	148101-2	148100-2	160103-3	160102-1	790012-5
770029-20	GC3-50MN	148101-2	148100-2	160103-3	160102-1	790012-4
770029-19	GC3-35MN	148101-2	148100-2	160103-3	160102-1	790012-3
770029-18	GC3-25MN	148101-2	148100-2	160103-3	160102-1	790012-2
770029-17	GC3-15MN	148101-2	148100-2	160103-3	160102-1	790012-1
770029-16	GC3-50HS	148101-2	148100-2	160103-2	160102-1	790012-8
770029-15	GC3-35HS	148101-2	148100-2	160103-2	160102-1	790012-7
770029-14	GC3-25HS	148101-2	148100-2	160103-2	160102-1	790012-6
770029-13	GC3-15HS	148101-2	148100-2	160103-2	160102-1	790012-5
770029-12	GC3-50HN	148101-2	148100-2	160103-2	160102-1	790012-4
770029-11	GC3-35HN	148101-2	148100-2	160103-2	160102-1	790012-3
770029-10	GC3-25HN	148101-2	148100-2	160103-2	160102-1	790012-2
770029-9	GC3-15HN	148101-2	148100-2	160103-2	160102-1	790012-1
770029-8	GC3-50TS	148101-2	148100-2	160103-1	160102-1	790012-8
770029-7	GC3-35TS	148101-2	148100-2	160103-1	160102-1	790012-7
770029-6	GC3-25TS	148101-2	148100-2	160103-1	160102-1	790012-6
770029-5	GC3-15TS	148101-2	148100-2	160103-1	160102-1	790012-5
770029-4	GC3-50TN	148101-2	148100-2	160103-1	160102-1	790012-4
770029-3	GC3-35TN	148101-2	148100-2	160103-1	160102-1	790012-3
770029-2	GC3-25TN	148101-2	148100-2	160103-1	160102-1	790012-2
770029-1	GC3-15TN	148101-2	148100-2	160103-1	160102-1	790012-1
PART NUMBER	MODEL NUMBER	TOP WASHER	BOTTOM WASHER	CORE	CUP ASSEMBLY	GROMMET

BILL OF MATERIALS - ALL QUANTITIES - ONE (1) PER ASSEMBLY

OTHER MATERIALS, COMPOUNDS, OR FINISHES WITH EQUAL OR SUPERIOR PROPERTIES MAY BE SUBSTITUTED AS THEY BECOME AVAILABLE.

CERTIFIED FOR:

JOB NAME: \_\_\_\_\_  
 CUSTOMER: \_\_\_\_\_  
 CUSTOMER P.O.: \_\_\_\_\_  
 SALES ORDER: \_\_\_\_\_

MODEL GC3 15-50 LBS.  
ELASTOMERIC CUP ISOLATOR



**THE VMC GROUP**  
*The Power of Together*  
 Bloomingdale, NJ 07403  
 Houston, TX 77041

SCALE: NONE  
 SHEET: \_\_\_\_\_  
 DRAWING NO.: \_\_\_\_\_  
 REVISION: \_\_\_\_\_

