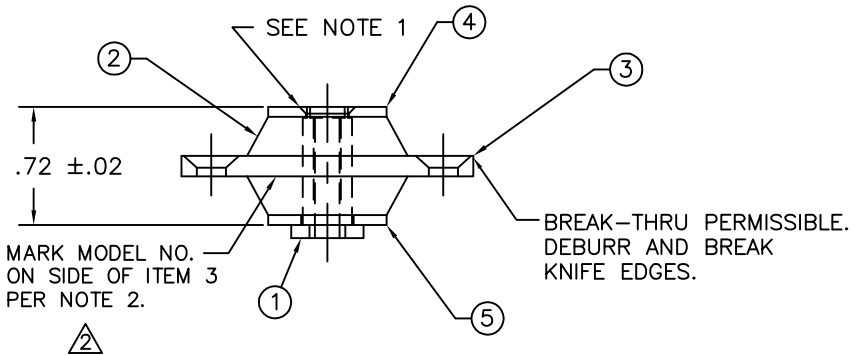
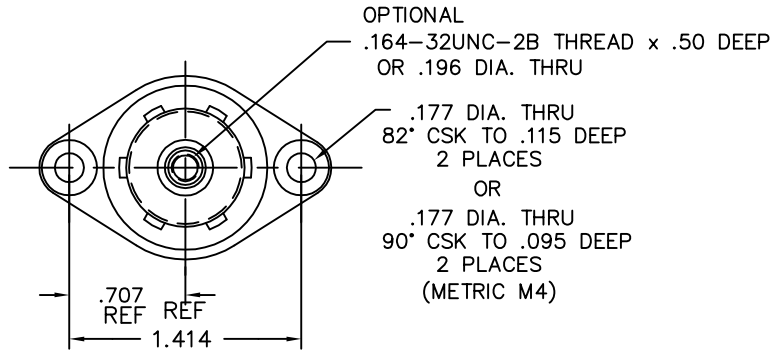


REV.	DESCRIPTION	DATE	BY



△3 PART NO.	△2 MODEL NO.	ITEM 2 GROMMET	ITEM 1 CORE	ITEM 3 △3 CENTERPLATE	ITEM 4 TOP WSHR.	ITEM 5 BOT. WSHR.	COLOR CODE
770001-1	GR2-5TS	790011-1	160099-1	160100-1	148101-1	148100-1	RED
770001-2	GR2-7TS	790011-2	160099-1				YELLOW
770001-3	GR2-10TS	790011-3	160099-1				BLACK
770001-4	GR2-5HS	790011-1	160099-2				RED
770001-5	GR2-7HS	790011-2	160099-2				YELLOW
770001-6	GR2-10HS	790011-3	160099-2				BLACK
770001-7	GR2-5TN	790011-4	160099-1				RED
770001-8	GR2-7TN	790011-5	160099-1				YELLOW
770001-9	GR2-10TN	790011-6	160099-1				GREEN
770001-10	GR2-5HN	790011-4	160099-2				RED
770001-11	GR2-7HN	790011-5	160099-2				YELLOW
770001-12	GR2-10HN	790011-6	160099-2				GREEN
770001-13	GR2-3TS	790011-8	160099-1				GREEN

NOTES:

- ASSEMBLE MOUNT PER PME-001
- MARK MODEL NO. ON SURFACE SHOWN .09 HIGH PER MIL-STD-130, USING BLACK EPOXY INK
 EXAMPLE: GR 2 - [] [] [] [] []
 FLANGE HOLES (NONE = NO. 8, M = METRIC M4)
 ELASTOMER (S=SILICONE, N=NEOPRENE)
 CENTER HOLE (T=.164-32 THD., H=.196 DIA.)
 MAXIMUM LOAD (LBS.)
 ISOLATOR SIZE
 ISOLATOR STYLE (GR=PLATE, GC=CUP)
- FOR METRIC CENTERPLATE, USE ITEM 3 160100-2. MOUNT PART NO. SUFFIXED WITH "M" (EXAMPLE: 770001-1M).
- ROHS COMPLIANT FINISH FROM REV D.

OTHER MATERIALS, COMPOUNDS, OR FINISHES WITH EQUAL OR SUPERIOR PROPERTIES MAY BE SUBSTITUTED AS THEY BECOME AVAILABLE.

CERTIFIED FOR:

JOB NAME: _____
 CUSTOMER : _____
 CUSTOMER P.O.: _____
 SALES ORDER: _____

**MODEL GR2 3-10 LBS.
 ELASTOMERIC ISOLATOR**



THE VMC GROUP
 The Power of Together
 Bloomingdale, NJ 07403
 Houston, TX 77041

SCALE: NONE
 SHEET: _____



DRAWING NO.: _____ REVISION _____