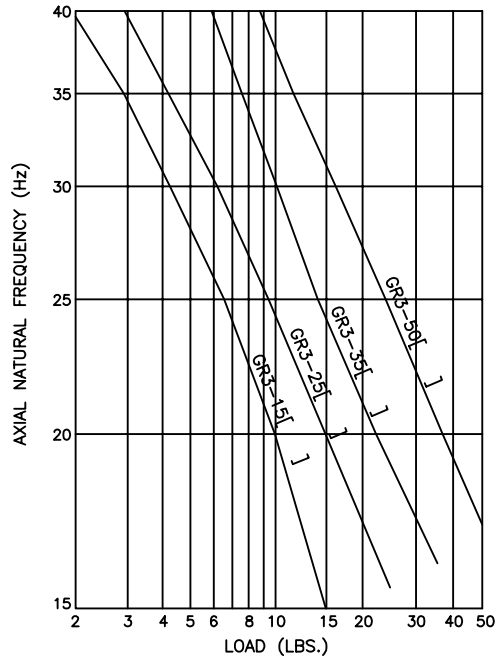
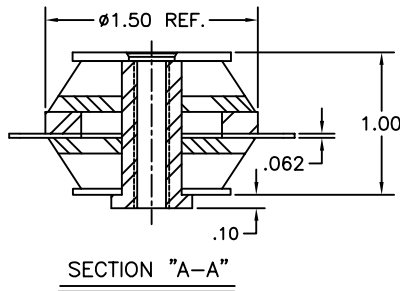
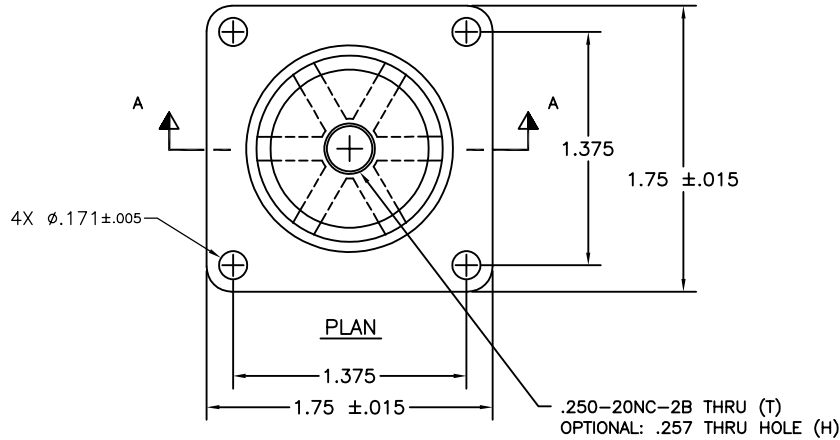


REV.	DESCRIPTION	DATE	BY



LOAD RATING/MODEL NUMBER			
MAX. LOAD/MOUNT (LBS.)		PLATE TYPE TAPPED CORE	PLATE TYPE THRU HOLE
STATIONARY	VEHICULAR		
15	7	GR3-15T()	GR3-15H()
25	11	GR3-25T()	GR3-25H()
35	17	GR3-35T()	GR3-35H()
50	30	GR3-50T()	GR3-50H()

FILL-IN (): S=SILICONE OR N=NEOPRENE

770042-18	GR3-50HS	148101-2	148100-2	160103-2	160104-1	790012-9
* 770042-17	GR3-50TS	148101-2	148100-2	160103-1	160104-1	790012-9
770042-16	GR3-50HS	148101-2	148100-2	160103-2	160104-1	790012-8
770042-15	GR3-35HS	148101-2	148100-2	160103-2	160104-1	790012-7
770042-14	GR3-25HS	148101-2	148100-2	160103-2	160104-1	790012-6
770042-13	GR3-15HS	148101-2	148100-2	160103-2	160104-1	790012-5
770042-12	GR3-50HN	148101-2	148100-2	160103-2	160104-1	790012-4
770042-11	GR3-35HN	148101-2	148100-2	160103-2	160104-1	790012-3
770042-10	GR3-25HN	148101-2	148100-2	160103-2	160104-1	790012-2
770042-9	GR3-15HN	148101-2	148100-2	160103-2	160104-1	790012-1
770042-8	GR3-50TS	148101-2	148100-2	160103-1	160104-1	790012-8
770042-7	GR3-35TS	148101-2	148100-2	160103-1	160104-1	790012-7
770042-6	GR3-25TS	148101-2	148100-2	160103-1	160104-1	790012-6
770042-5	GR3-15TS	148101-2	148100-2	160103-1	160104-1	790012-5
770042-4	GR3-50TN	148101-2	148100-2	160103-1	160104-1	790012-4
770042-3	GR3-35TN	148101-2	148100-2	160103-1	160104-1	790012-3
770042-2	GR3-25TN	148101-2	148100-2	160103-1	160104-1	790012-2
770042-1	GR3-15TN	148101-2	148100-2	160103-1	160104-1	790012-1
PART NUMBER	MODEL NUMBER	TOP WASHER	BOTTOM WASHER	CORE	PLATE ASSEMBLY	GROMMET
BILL OF MATERIALS - ALL QUANTITIES - ONE (1) PER ASSEMBLY						

* SPECIAL COLOR (GREEN)

NOTES:

- GROMMET 790012-[] AND PLATE ASSY 770042-[] MAY BE MOLDED TOGETHER.
- ROHS COMPLIANT FINISH.

OTHER MATERIALS, COMPOUNDS, OR FINISHES WITH EQUAL OR SUPERIOR PROPERTIES MAY BE SUBSTITUTED AS THEY BECOME AVAILABLE.

CERTIFIED FOR:

JOB NAME: _____

CUSTOMER: _____

CUSTOMER P.O.: _____

SALES ORDER: _____

MODEL GR3 15-50 LBS.
ELASTOMERIC ISOLATOR



VMC GROUP
THE POWER OF TOGETHER™
Bloomingdale, NJ 07403
Houston, TX 77041

SCALE:

NONE

SHEET:



DRAWING NO.:

REVISION