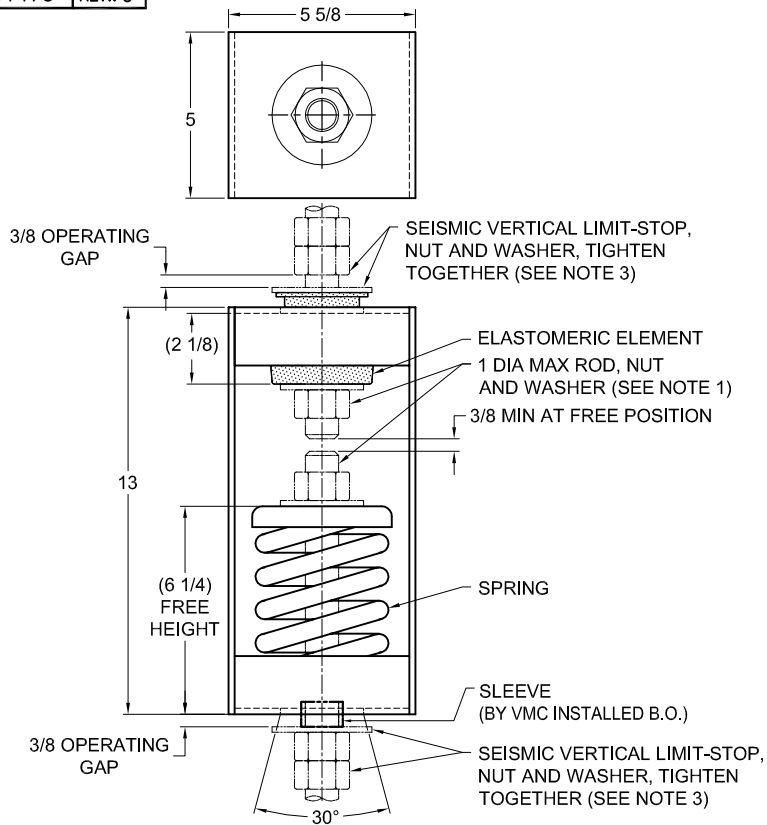
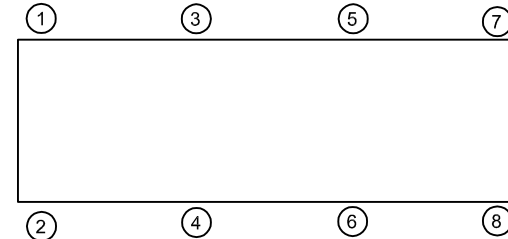


REV.	DESCRIPTION	DATE	BY



TYPE HRSA-1G ELASTOMERIC & SPRING ANGULARITY HANGERS FOR 1" NOMINAL DEFLECTION					
HANGER	RATED LOAD (LBS)	DEFLECTION (IN)	SPRING RATE (LB/IN)	SPRING COLOR CODE	ELEMENT LOAD & COLOR CODE
HRSA-1G-3600	3600	1.63	3000	PINK	RE-D-4200 BLUE



ISOLATOR SELECTIONS	
LOC 1:	LOC 2:
LOC 3:	LOC 4:
LOC 5:	LOC 6:
LOC 7:	LOC 8:
CUSTOMER EQP'T. TAG:	

NOTE: MATERIAL SHOWN IS FOR (1) SET.

OTHER MATERIALS, COMPOUNDS, OR FINISHES WITH EQUAL OR SUPERIOR PROPERTIES MAY BE SUBSTITUTED AS THEY BECOME AVAILABLE.

**NOTES:**

- HANGER RODS, NUTS AND WASHERS, AS SHOWN, NOT BY THE VMC GROUP.
- STANDARD FINISH: HANGER BOX - PAINTED, POWDER COATED OR GALVANIZED STEEL , SPRING - POWDER COAT.
- SEISMIC VERTICAL LIMIT-STOP HARDWARE REQUIRED FOR SEISMIC APPLICATIONS, NOT BY THE VMC GROUP. INSTALL WASHER .16 THK. MIN. X 3 O.D. MIN. WITH REQUIRED INSIDE DIAMETER TO ACCOMMODATE ROD SIZE IN USE. THIS CAN BE ACCOMPLISHED BY USING A SINGLE WASHER OR BY STACKING NOT MORE THAN TWO WASHERS.
- ALL DIMENSIONS IN INCHES. INTERPRET PER ANSI Y14.
- ALL DIMENSIONS ARE FOR REFERENCE, DIMENSIONS SHOWN AS NOMINAL.
- ALL SPRINGS ARE DESIGNED WITH MINIMUM 50% OVER-TRAVEL.
- HANGER BOXES ARE AVAILABLE PRE-COMPRESSED UP TO THEIR DESIGNATED MAX. LOAD. PERCENTAGE OF PRE-COMPRESSION TO BE DETERMINED BY ENGINEERED APPLICATION OR AS REQUESTED BY CUSTOMER. CONSULT FACTORY FOR POSSIBLE ADDITIONAL PARAMETERS AND OR LIMITATIONS.
- HANGER BOXES WITH AN ELASTOMERIC ELEMENT HAVE UP TO AN ADDITIONAL 1/2" NOMINAL DEFLECTION.
- RATED DEFLECTIONS ARE WITHIN 25% OF NOMINAL. HIGHER DEFLECTIONS ARE ALLOWED IF THEY MEET SPECIFICATIONS.

**CERTIFIED FOR:**

JOB NAME: \_\_\_\_\_  
 CUSTOMER : \_\_\_\_\_  
 CUSTOMER P.O.: \_\_\_\_\_  
 SALES ORDER: \_\_\_\_\_

**MODEL HRSA-1G 3600 LBS. ELASTOMERIC  
 AND SPRING ANGULARITY HANGERS 1  
 INCH DEFLECTION**



**THE VMC GROUP**  
*The Power of Together*  
 Bloomingdale, NJ 07403  
 Houston, TX 77041

SCALE :  
**NONE**  
 SHEET:



DRAWING NO.: \_\_\_\_\_ REVISION \_\_\_\_\_