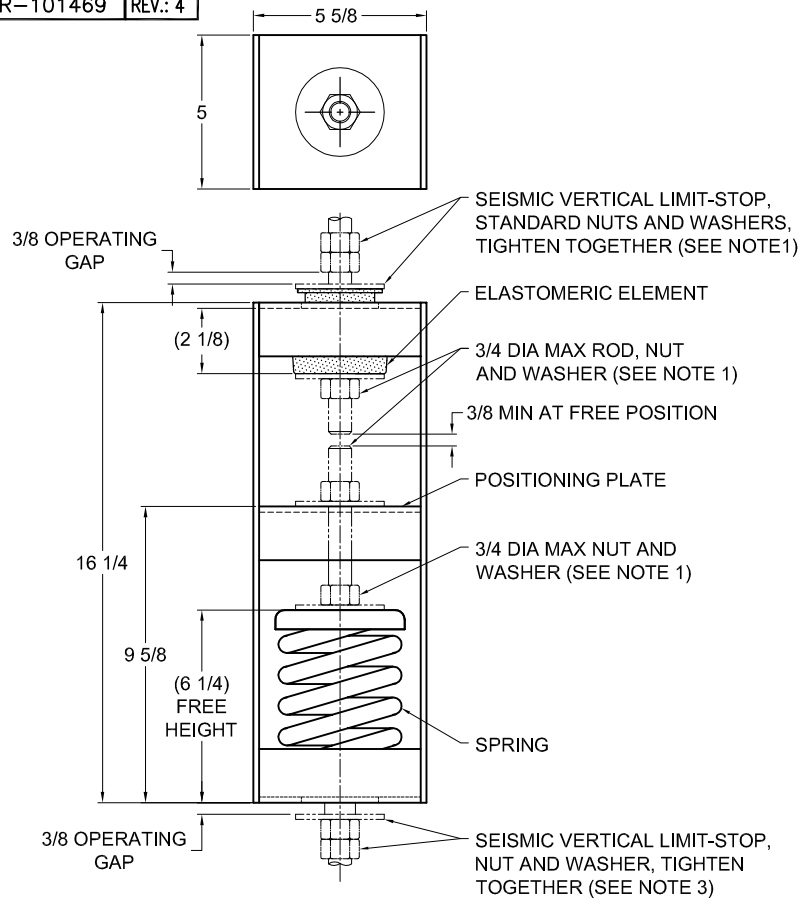


135R-101469 REV.: 4

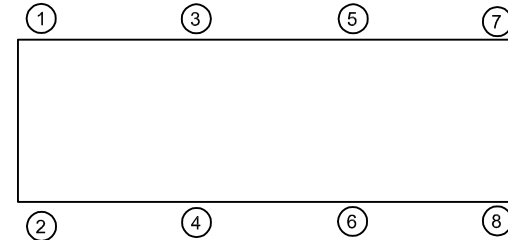
REV.	DESCRIPTION	DATE	BY



TYPE HRSP-3C ELASTOMERIC & SPRING POSITIONING HANGERS FOR 3" NOMINAL DEFLECTION					
HANGER	RATED LOAD (LBS)	DEFLECTION (IN)	SPRING RATE (LBS/IN)	SPRING COLOR CODE	ELEMENT LOAD & COLOR CODE
HRSP-3C-75	75	3.10	25	WHITE	RE-C-380 BLACK
HRSP-3C-145	145	3.09	50	LT PURPLE	RE-C-380 BLACK
HRSP-3C-215	215	2.87	83	LT BROWN	RE-C-380 BLACK
HRSP-3C-315	315	2.78	133	ORANGE	RE-C-380 BLACK
HRSP-3C-470	470	2.80	200	DK BROWN	RE-C-520 RED
HRSP-3C-600	600	2.60	267	DK PURPLE	RE-C-840 GREEN
HRSP-3C-860N ¹	860	2.65	383	ORANGE/RED	RE-C-1070 GRAY
HRSP-3C-1055N ¹	1055	2.84	450	DK BROWN/RED	RE-C-1070 GRAY
HRSP-3C-1165N ¹	1165	2.54	517	DK PURPLE/RED	RE-C-2000 BLUE

NOTES:

1. TWO NESTED SPRINGS YIELD THIS LOAD. THE COLOR CODE INDICATED IS FOR OUTER SPRING/ INNER SPRING.



NOTES:

- HANGER RODS, NUTS AND WASHERS, AS SHOWN, NOT BY THE VMC GROUP.
- STANDARD FINISH: HANGER BOX - PAINTED POWDER COATED OR GALVANIZED STEEL, SPRING - POWDER COAT.
- SEISMIC VERTICAL LIMIT-STOP REQUIRED FOR SEISMIC APPLICATIONS. NOT BY THE VMC GROUP. INSTALL WASHER .16 THK. MIN. X 2-7/8 O.D. MIN WITH REQUIRED INSIDE DIAMETER TO ACCOMMODATE ROD SIZE IN USE. THIS CAN BE ACCOMPLISHED BY USING A SINGLE WASHER OR BY STACKING NOT MORE THAN TWO WASHERS.
- ALL DIMENSIONS IN INCHES. INTERPRET PER ANSI Y14.
- ALL DIMENSIONS ARE FOR REFERENCE, DIMENSIONS SHOWN AS NOMINAL.
- ALL SPRINGS ARE DESIGNED WITH MINIMUM 50% OVER-TRAVEL.
- HANGER BOXES WITH AN ELASTOMERIC ELEMENT HAVE UP TO AN ADDITIONAL 1/2" NOMINAL DEFLECTION
- RATED DEFLECTIONS ARE WITHIN 25% OF NOMINAL. HIGHER DEFLECTIONS ARE ALLOWED IF THEY MEET SPECIFICATIONS.

ISOLATOR SELECTIONS

LOC 1:	LOC 2:
LOC 3:	LOC 4:
LOC 5:	LOC 6:
LOC 7:	LOC 8:
CUSTOMER EQP'T. TAG:	

NOTE: MATERIAL SHOWN IS FOR (1) SET.

OTHER MATERIALS, COMPOUNDS, OR FINISHES WITH EQUAL OR SUPERIOR PROPERTIES MAY BE SUBSTITUTED AS THEY BECOME AVAILABLE.

CERTIFIED FOR:

JOB NAME: _____
 CUSTOMER: _____
 CUSTOMER P.O.: _____
 SALES ORDER: _____

**MODEL HRSP-3C 75-1165 LBS.
 ELASTOMERIC AND SPRING POSITIONING
 HANGERS 3 INCH DEFLECTION**



THE VMC GROUP
The Power of Together
 Bloomingdale, NJ 07403
 Houston, TX 77041

SCALE :

NONE

SHEET:



DRAWING NO.:

REVISION