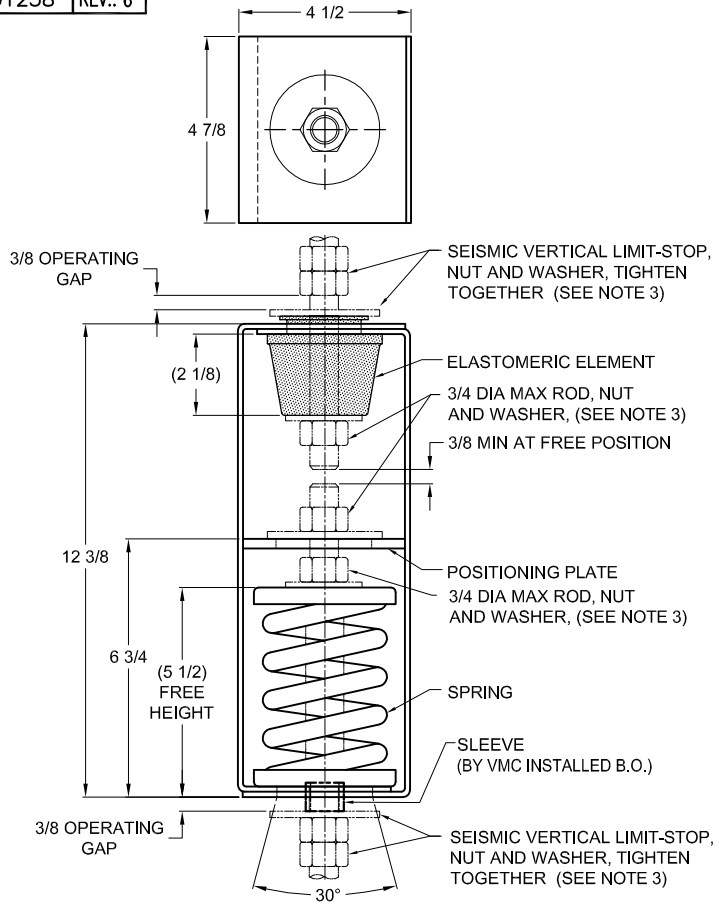


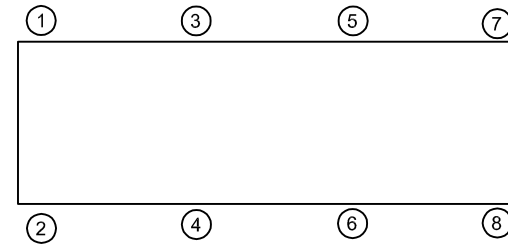
REV.	DESCRIPTION	DATE	BY



TYPE HRSPA-2D ELASTOMERIC & SPRING POSITIONING & ANGULARITY HANGERS FOR 2" NOMINAL DEFLECTION					
HANGER	RATED LOAD (LBS)	DEFLECTION (IN.)	SPRING RATE (LB/IN)	SPRING COLOR CODE	ELEMENT COLOR CODE
HRSPA-2D-75	75	2.52	30	WHITE	RE-C-380 BLACK
HRSPA-2D-160	160	2.50	64	YELOW	RE-C-380 BLACK
HRSPA-2D-230	230	2.60	88	GREEN	RE-C-380 BLACK
HRSPA-2D-355	355	2.62	135	DK BROWN	RE-C-380 BLACK
HRSPA-2D-435	435	2.31	188	RED	RE-C-520 RED
HRSPA-2D-725	725	1.63	445	TAN	RE-C-840 GREEN
HRSPA-2D-845	845	1.58	535	PINK	RE-C-840 GREEN

NOTES:

- HANGER RODS, NUTS AND WASHERS, AS SHOWN, NOT BY THE VMC GROUP.
- STANDARD FINISH: HANGER BOX - PAINTED, POWDER COATED OR GALVANIZED STEEL, SPRING - POWDER COAT.
- SEISMIC VERTICAL LIMIT-STOP REQUIRED FOR SEISMIC APPLICATIONS. NOT BY THE VMC GROUP. INSTALL WASHER .165 THK. MIN. X 2-7/8 O.D. MIN WITH REQUIRED INSIDE DIAMETER TO ACCOMMODATE ROD SIZE IN USE. THIS CAN BE ACCOMPLISHED BY USING A SINGLE WASHER OR BY STACKING NOT MORE THAN TWO WASHERS.
- ALL DIMENSIONS IN INCHES. INTERPRET PER ANSI Y14.
- ALL DIMENSIONS ARE FOR REFERENCE, DIMENSIONS SHOWN AS NOMINAL.
- ALL SPRINGS ARE DESIGNED WITH MINIMUM 50% OVER-TRAVEL.
- HANGER BOXES WITH AN ELASTOMERIC ELEMENT HAVE UP TO AN ADDITIONAL 1/2" NOMINAL DEFLECTION.
- RATED DEFLECTIONS ARE WITHIN 25% OF NOMINAL. HIGHER DEFLECTIONS ARE ALLOWED IF THEY MEET SPECIFICATIONS.



ISOLATOR SELECTIONS

LOC 1:	LOC 2:
LOC 3:	LOC 4:
LOC 5:	LOC 6:
LOC 7:	LOC 8:
CUSTOMER EQP'T. TAG:	

NOTE: MATERIAL SHOWN IS FOR (1) SET.

OTHER MATERIALS, COMPOUNDS, OR FINISHES WITH EQUAL OR SUPERIOR PROPERTIES MAY BE SUBSTITUTED AS THEY BECOME AVAILABLE.

CERTIFIED FOR:

JOB NAME: _____
 CUSTOMER : _____
 CUSTOMER P.O.: _____
 SALES ORDER: _____

**MODEL HRSPA-2D 75-845 LBS.
 ELASTOMERIC AND SPRING POSITIONING
 AND ANGULARITY HANGERS
 2 INCH DEFLECTION**



THE VMC GROUP
The Power of Together
 Bloomingdale, NJ 07403
 Houston, TX 77041

SCALE :
 NONE
 SHEET:
 1 OF 1



DRAWING NO.: _____ REVISION