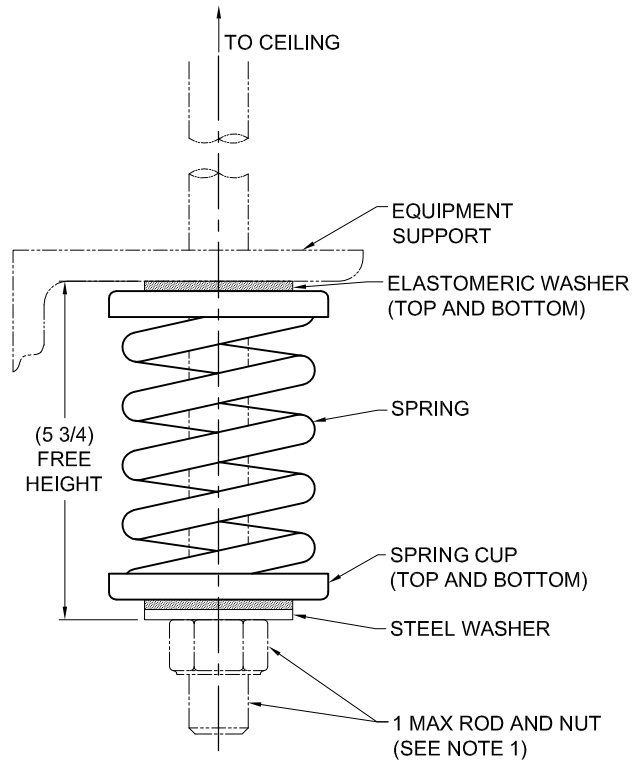


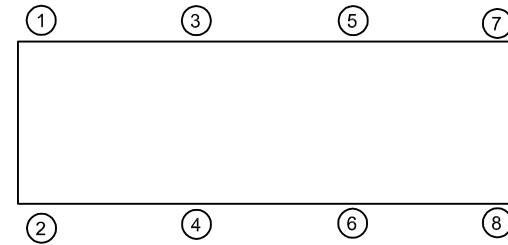
REV.	DESCRIPTION	DATE	BY



TYPE HSO-2D SPRING HANGERS FOR 2" NOMINAL DEFLECTION				
HANGER	RATED LOAD (LBS)	DEFLECTION (IN)	SPRING RATE (LB/IN)	SPRING COLOR CODE
HSO-2D-75	75	2.42	31	WHITE
HSO-2D-160	160	2.29	70	YELLOW
HSO-2D-230	230	2.30	100	GREEN
HSO-2D-355	355	2.15	165	DK BROWN
HSO-2D-435	435	1.89	230	RED
HSO-2D-600N ¹	600	1.88	319	RED/ BLACK
HSO-2D-725	725	1.61	450	TAN
HSO-2D-845	845	1.48	570	PINK
HSO-2D-1000N ¹	1000	1.69	592	PINK/ BLACK
HSO-2D-1320N ¹	1320	1.54	857	PINK/GRAY

NOTES:

1. TWO NESTED SPRINGS YIELD THIS LOAD. THE COLOR CODE INDICATED IS FOR OUTER SPRING/ INNER SPRING.



NOTES:

- HANGER RODS AND NUTS, AS SHOWN, NOT BY THE VMC GROUP.
- STANDARD FINISH SPRING - POWDER COAT. HARDWARE: ZINC-ELECTROPLATE.
- ALL DIMENSIONS IN INCHES. INTERPRET PER ANSI Y14.
- ALL DIMENSIONS ARE FOR REFERENCE, DIMENSIONS SHOWN AS NOMINAL.
- ALL SPRINGS ARE DESIGNED WITH MINIMUM 50% OVER-TRAVEL.
- RATED DEFLECTIONS ARE WITHIN 25% OF NOMINAL. HIGHER DEFLECTIONS ARE ALLOWED IF THEY MEET SPECIFICATIONS.

ISOLATOR SELECTIONS

LOC 1:	LOC 2:
LOC 3:	LOC 4:
LOC 5:	LOC 6:
LOC 7:	LOC 8:
CUSTOMER EQP'T. TAG:	

NOTE: MATERIAL SHOWN IS FOR (1) SET.

OTHER MATERIALS, COMPOUNDS, OR FINISHES WITH EQUAL OR SUPERIOR PROPERTIES MAY BE SUBSTITUTED AS THEY BECOME AVAILABLE.

CERTIFIED FOR:

JOB NAME: _____
 CUSTOMER: _____
 CUSTOMER P.O.: _____
 SALES ORDER: _____

**MODEL HSO-2D 75-1320 LBS. SPRING
 HANGERS 2 INCH DEFLECTION**



THE VMC GROUP
The Power of Together
 Bloomingdale, NJ 07403
 Houston, TX 77041

SCALE: NONE

SHEET: _____



DRAWING NO.: _____

REVISION _____