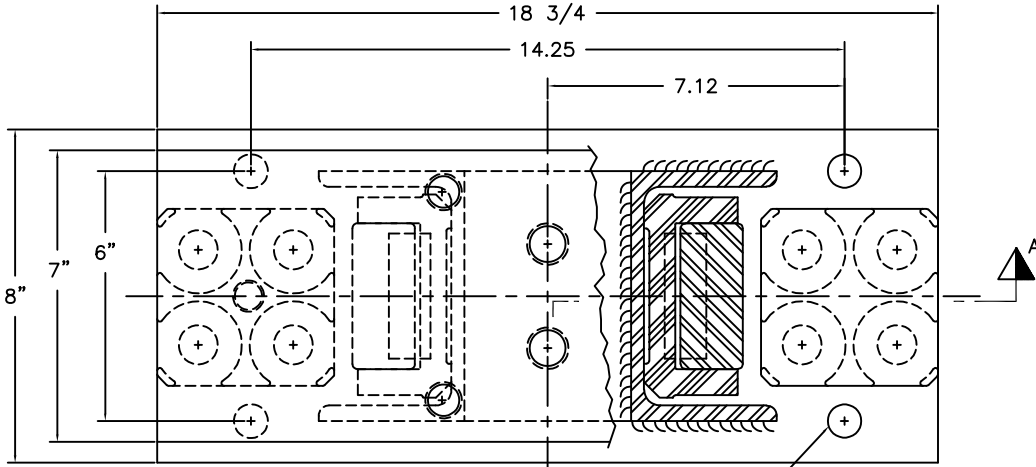
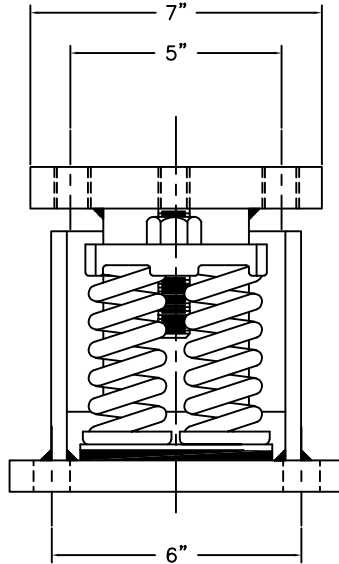
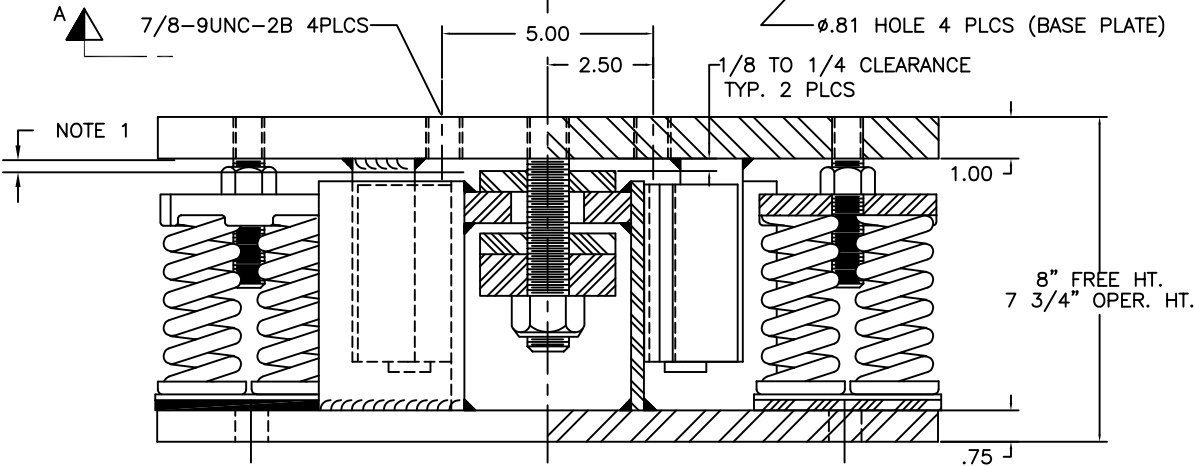


REV.	DESCRIPTION	DATE	BY



PART NUMBER	ISOLATOR DESIGNATION	MAXIMUM STATIC LOAD (LBS)	ISOLATOR CONSTANT (LBS/IN)	DEFLECTION (IN)	MAX VERTICAL LOAD	MAX HORIZONTAL LOAD
602450-51	KMSG-51	800	500	1.60	16,000 LBS	9,800 LBS
602450-52	KMSG-52	1280	960	1.33		
602450-53	KMSG-53	1920	1520	1.26		
602450-54	KMSG-54	3200	2760	1.16		
602450-55	KMSG-55	4480	4480	1.00		
602450-56	KMSG-56	7680	13200	0.58		



- NOTES:
- ADJUST CLEARANCE ABOVE AND BELOW TO 1/8" TO 1/4"
 - ALL SIZES ARE DESIGNED TO WITHSTAND VERTICAL AND HORIZONTAL FORCES DUE TO ROLL, PITCH AND SLAMMING OF SEAGOING VESSELS.

OTHER MATERIALS, COMPOUNDS, OR FINISHES WITH EQUAL OR SUPERIOR PROPERTIES MAY BE SUBSTITUTED AS THEY BECOME AVAILABLE.



CERTIFIED FOR:

JOB NAME: _____

CUSTOMER: _____

CUSTOMER P.O.: _____

SALES ORDER: _____

**MODEL KMSG 800-7680 LBS.
MARINE ISOLATORS**



SCALE: NONE

SHEET: _____

DRAWING NO.: _____

REVISION: _____