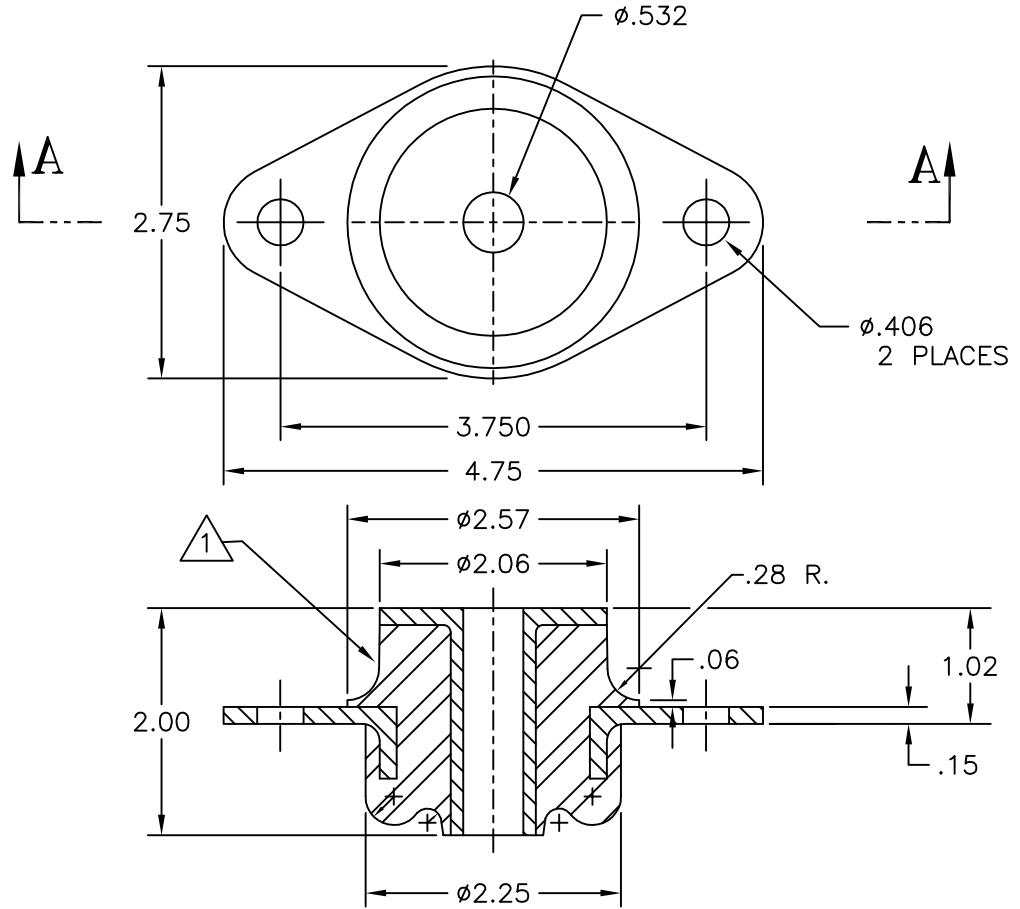


103R-103408 REV.: 2

REV.	DESCRIPTION	DATE	BY

PART NO.	MODEL NO.	COMPOUND	DUROMETER	COLOR CODE
770041-1	LF1.5-270	NEOPRENE	48 ± 4	PURPLE
770041-2	LF1.5-350	NEOPRENE	52 ± 4	YELLOW
770041-3	LF1.5-450	NEOPRENE	56 ± 4	GREEN
770041-4	LF1.5-570	NEOPRENE	60 ± 4	RED
770041-5	LF1.5-200	NEOPRENE	40 ± 5	RED/BLUE



SECTION A-A

NOTES:

△ INK STAMP MODEL NUMBER WITH .12 HIGH CHARACTERS IN APPROXIMATE LOCATION SHOWN.

OTHER MATERIALS, COMPOUNDS, OR FINISHES WITH EQUAL OR SUPERIOR PROPERTIES MAY BE SUBSTITUTED AS THEY BECOME AVAILABLE.

CERTIFIED FOR:

JOB NAME: _____

CUSTOMER : _____

CUSTOMER P.O.: _____

SALES ORDER: _____

**MODEL LF1.5 200-570 LBS.
SNUBBED ELASTOMERIC ISOLATOR**



SCALE: NONE	
SHEET:	
DRAWING NO.:	REVISION