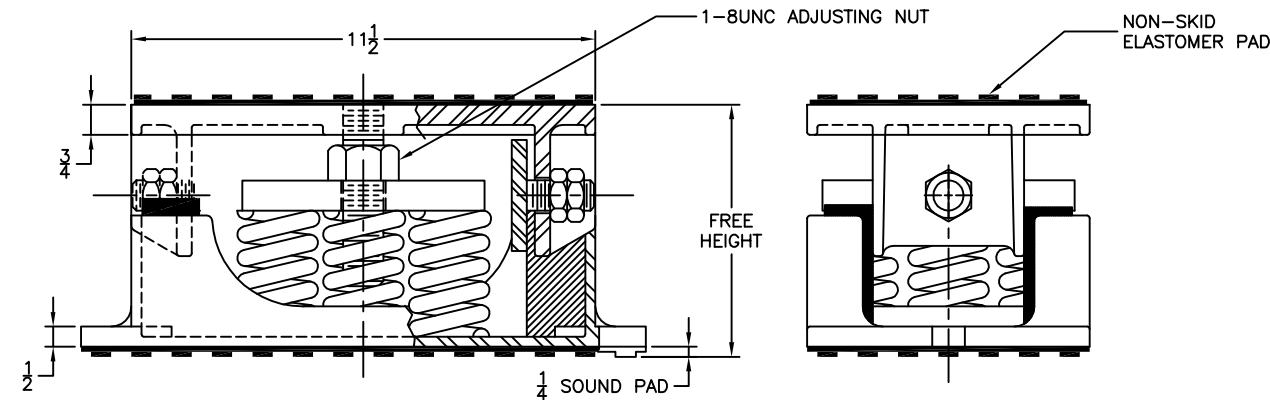
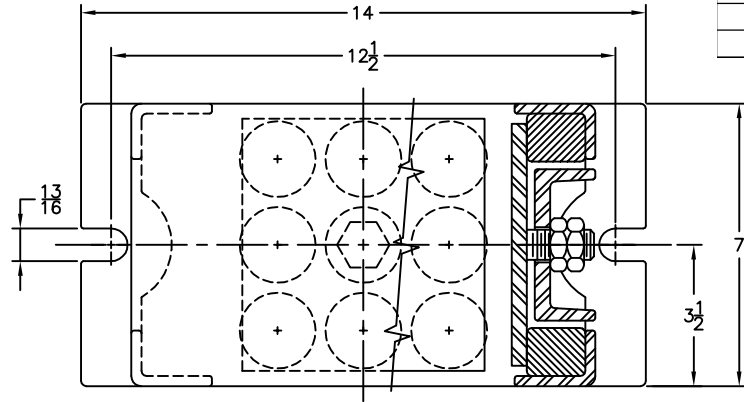


REV.	DESCRIPTION	DATE	BY

PART NUMBER	ISOLATOR MODEL	MAX. STEADY (LBS)	MAX. IMPACT (LBS)	ISOLATOR CONSTANT (LBS)	MIN. FREE HEIGHT	COLOR CODE
604054-45	LIG-45	2925	2340	3960	5 3/4	BROWN
604054-46	LIG-46	4000	3200	7200		RED
604054-47	LIG-47	5400	4320	11025		PURPLE
604054-57	LIG-57	9900	7425	19160	5 7/8	BLUE
604054-68	LIG-68	11700	11025	23850	6 1/4	GREEN



NOTES:

- ALL DIMENSIONS ARE IN INCHES, INTERPRET PER ANSI Y14
- STANDARD FINISH: CONTACT VMC FOR ADDITIONAL AVAILABILITY
 - A. STEEL WELDMENTS: STANDARD VMC COLOR
 - B. SPRING: POWDER COATED
 - C. HARDWARE: ELECTRO-ZINC PLATED
- EST. UNIT WEIGHT: 55 LBS.
- RECOMMENDED MAXIMUM TORQUING OF ISOLATOR BASE ANCHORS TO 5FT-LBS. AFTER EQUIPMENT IS INSTALLED.
- USE OF BLOCKING IS REQUIRED ALONGSIDE EACH ISOLATOR, EQUAL TO ISOLATOR FREE HEIGHT SO AS TO TEMPORARILY TRANSFER THE EQUIPMENT LOAD ONTO BLOCKING UNTIL THE LOAD IS TRANSFERRED TO THE SPRING BY TURNING ADJUSTING BOLT CAUSING ISOLATOR TO LIFT EQUIPMENT ABOVE BLOCKING. REMOVE BLOCKING AFTER INSTALLATION IS COMPLETE.
- HAND TIGHTEN SIDE SNUBBING BOLT.

OTHER MATERIALS, COMPOUNDS, OR FINISHES WITH EQUAL OR SUPERIOR PROPERTIES MAY BE SUBSTITUTED AS THEY BECOME AVAILABLE.

CERTIFIED FOR:

JOB NAME: _____
 CUSTOMER : _____
 CUSTOMER P.O.: _____
 SALES ORDER: _____

**MODEL LIG 2925-11700 LBS.
 SPRING ISOLATOR WITH
 ADJUSTABLE SNUBBER**



THE VMC GROUP
The Power of Together
 Bloomingdale, NJ 07403
 Houston, TX 77041

SCALE :

NONE

SHEET:



DRAWING NO.:

REVISION