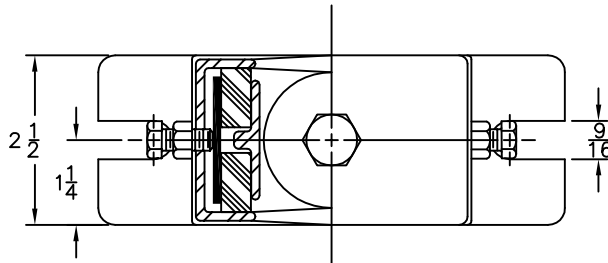
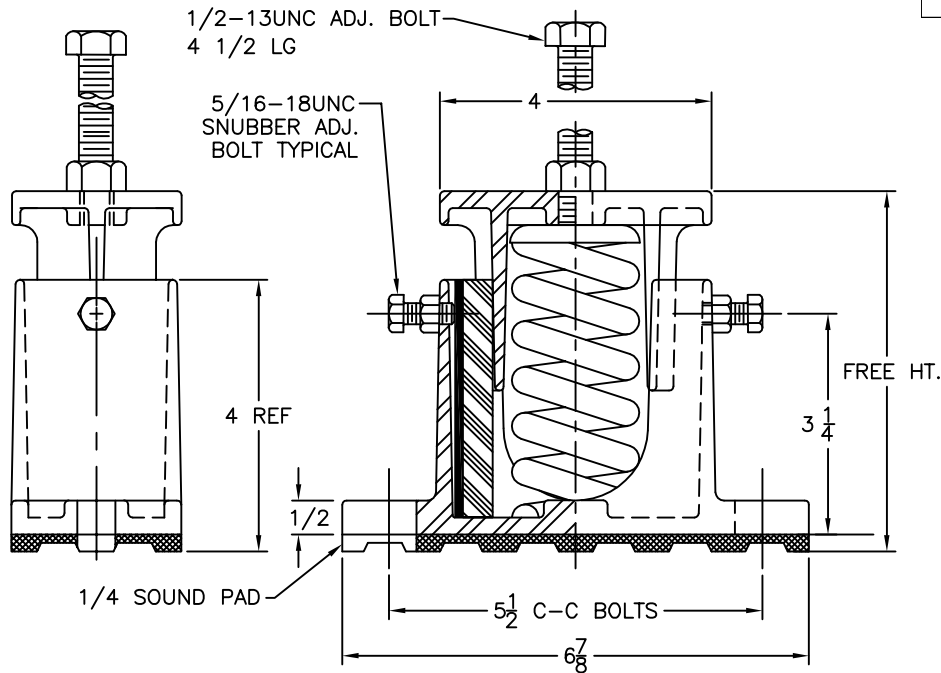


REV.	DESCRIPTION	DATE	BY



PART NUMBER	ISOLATOR MODEL	MAX. STEADY (LBS)	MAX. IMPACT (LBS)	ISOLATOR CONSTANT (LBS)	MIN. FREE HEIGHT	COLOR CODE
602590-50	LKA-50	50	△	25	5 1/2	YELLOW
602590-51	LKA-51	125	△	62.5		ORANGE
602590-52	LKA-52	200	△	120		BROWN
602590-53	LKA-53	300	△	190		BLACK
602590-54	LKA-54	500	△	345		GREEN
602590-55	LKA-55	700	△	560	4 7/8	BLUE
602590-56	LKA-56	1200	△	1650		PURPLE
602590-45	LKA-45	325	260	440		BROWN
602590-46	LKA-46	450	360	800		RED
602590-47	LKA-47	600	480	1225		PURPLE
602590-57	LKA-57	1100	825	2130		BLUE
602590-68	LKA-68	1300	1225	2650		GREEN



MINIMUM OPERATING HEIGHT: 4 7/8"

NOTES:

- ALL DIMENSIONS ARE IN INCHES, INTERPRET PER ANSI Y14
- STANDARD FINISH:
  - A. STEEL WELDMENTS: STANDARD VMC COLOR
  - B. SPRING: POWDER COATED
  - C. HARDWARE: ELECTRO-ZINC PLATED
  - D. CAST COMPONENTS: STANDARD VMC COLOR
- CONTACT VMC FOR ADDITIONAL AVAILABILITY.
- △ CURRENTLY UNDER ENGINEERING REVIEW
- RECOMMENDED MAXIMUM TORQUING OF ISOLATOR BASE ANCHORS TO 5FT-LBS. AFTER EQUIPMENET IS INSTALLED.
- USE OF BLOCKING IS REQUIRED ALONGSIDE EACH ISOLATOR, EQUAL TO ISOLATOR FREE HEIGHT SO AS TO TEMPORARILY TRANSFER THE EQUIPMENT LOAD ONTO BLOCKING UNTIL THE LOAD IS TRANSFERRED TO THE SPRING BY TURNING ADJUSTING BOLT CAUSING ISOLATOR TO LIFT EQUIPMENT ABOVE BLOCKING. REMOVE BLOCKING AFTER INSTALLATION IS COMPLETE.
- HAND TIGHTEN SIDE SNUBBING BOLT.

OTHER MATERIALS, COMPOUNDS, OR FINISHES WITH EQUAL OR SUPERIOR PROPERTIES MAY BE SUBSTITUTED AS THEY BECOME AVAILABLE.

CERTIFIED FOR:

JOB NAME: \_\_\_\_\_  
 CUSTOMER : \_\_\_\_\_  
 CUSTOMER P.O.: \_\_\_\_\_  
 SALES ORDER: \_\_\_\_\_

MODEL LKA 50-1300 LBS.  
 SPRING ISOLATOR WITH  
 ADJUSTABLE SNUBBER



**THE VMC GROUP**  
 The Power of Together  
 Bloomingdale, NJ 07403  
 Houston, TX 77041

SCALE:

NONE

SHEET:

1 OF 1



DRAWING NO.:

REVISION