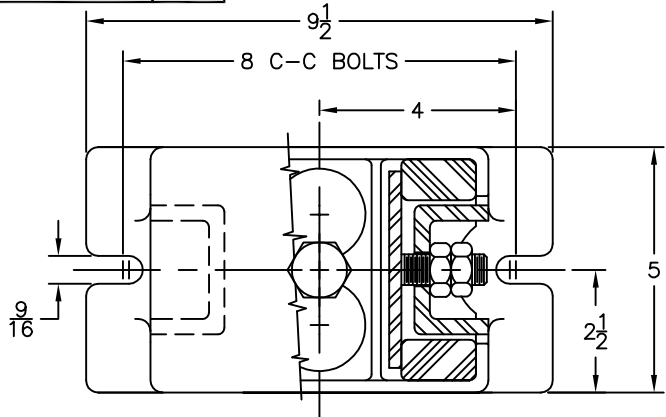
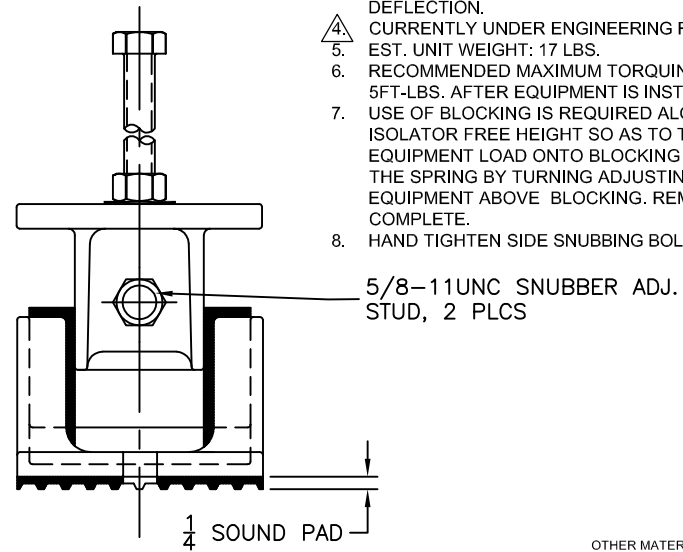
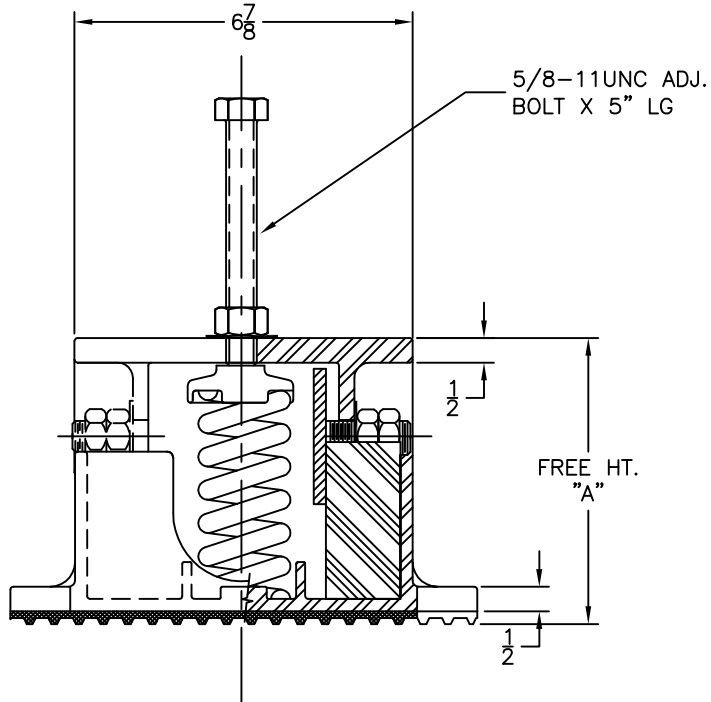


REV.	DESCRIPTION	DATE	BY



PART NUMBER	ISOLATOR MODEL	MAX. STEADY (LBS)	MAX. IMPACT (LBS)	ISOLATOR CONSTANT (LBS)	MIN. FREE HEIGHT	COLOR CODE
603538-50	LKD-50	100	▲	50	5 3/4	YELLOW
603538-51	LKD-51	250	▲	125		ORANGE
603538-52	LKD-52	400	▲	240		BROWN
603538-53	LKD-53	600	▲	380		BLACK
603538-54	LKD-54	1000	▲	690		GREEN
603538-55	LKD-55	1400	▲	1120	4 3/8	BLUE
603538-56	LKD-56	2400	▲	3300		PURPLE
603538-45	LKD-45	650	520	880		BROWN
603538-46	LKD-46	900	720	1600	4 3/8	RED
603538-47	LKD-47	1200	960	2450		PURPLE
603538-57	LKD-57	2200	1650	4260	4 3/4	BLUE
603538-68	LKD-68	2600	2450	5300		GREEN



NOTES:

- ALL DIMENSIONS ARE IN INCHES, INTERPRET PER ANSI Y14
- STANDARD FINISH:
 - A. STEEL WELDMENTS: STANDARD VMC COLOR
 - B. SPRING: POWDER COATED
 - C. HARDWARE: ELECTRO-ZINC PLATED
 - D. CAST COMPONENTS: STANDARD VMC COLOR CONTACT VMC FOR ADDITIONAL AVAILABILITY.
- MINIMUM OPERATING HEIGHT IS 4 1/2" OR FREE HT.-STATIC SPRING DEFLECTION.
- ▲ CURRENTLY UNDER ENGINEERING REVIEW
- EST. UNIT WEIGHT: 17 LBS.
- RECOMMENDED MAXIMUM TORQUING OF ISOLATOR BASE ANCHORS TO 5FT-LBS. AFTER EQUIPMENT IS INSTALLED.
- USE OF BLOCKING IS REQUIRED ALONGSIDE EACH ISOLATOR, EQUAL TO ISOLATOR FREE HEIGHT SO AS TO TEMPORARILY TRANSFER THE EQUIPMENT LOAD ONTO BLOCKING UNTIL THE LOAD IS TRANSFERRED TO THE SPRING BY TURNING ADJUSTING BOLT CAUSING ISOLATOR TO LIFT EQUIPMENT ABOVE BLOCKING. REMOVE BLOCKING AFTER INSTALLATION IS COMPLETE.
- HAND TIGHTEN SIDE SNUBBING BOLT.

OTHER MATERIALS, COMPOUNDS, OR FINISHES WITH EQUAL OR SUPERIOR PROPERTIES MAY BE SUBSTITUTED AS THEY BECOME AVAILABLE.

CERTIFIED FOR:

JOB NAME: _____
 CUSTOMER : _____
 CUSTOMER P.O.: _____
 SALES ORDER: _____

MODEL LKD 100-2600 LBS.
 SPRING ISOLATOR WITH
 ADJUSTABLE SNUBBER



THE VMC GROUP
 The Power of Together
 Bloomingdale, NJ 07403
 Houston, TX 77041

SCALE:

NONE

SHEET:



DRAWING NO.:

REVISION