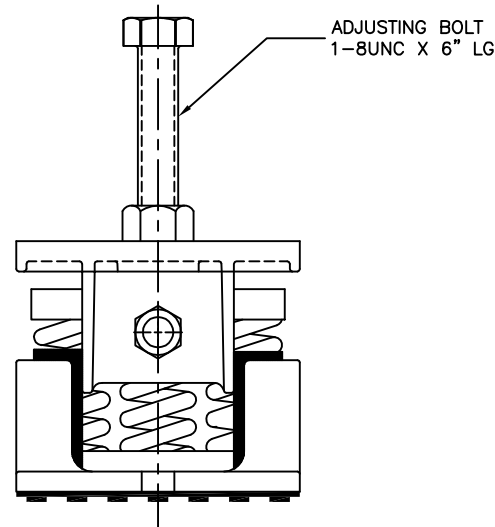
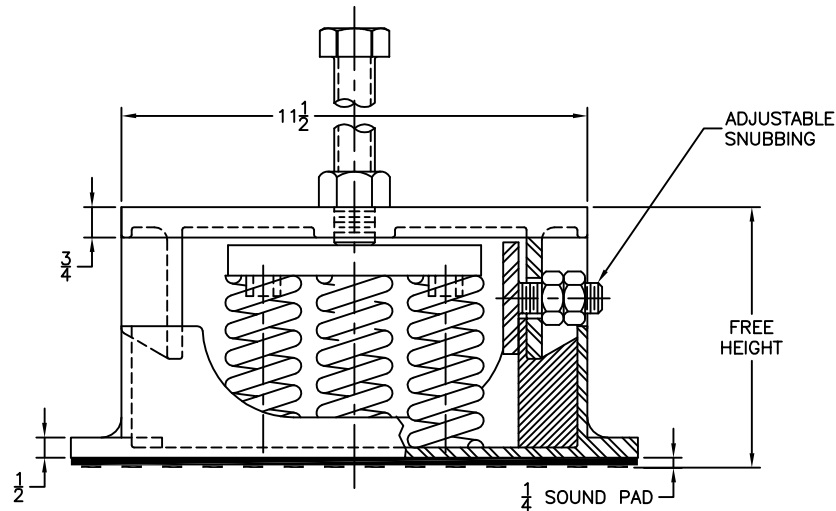
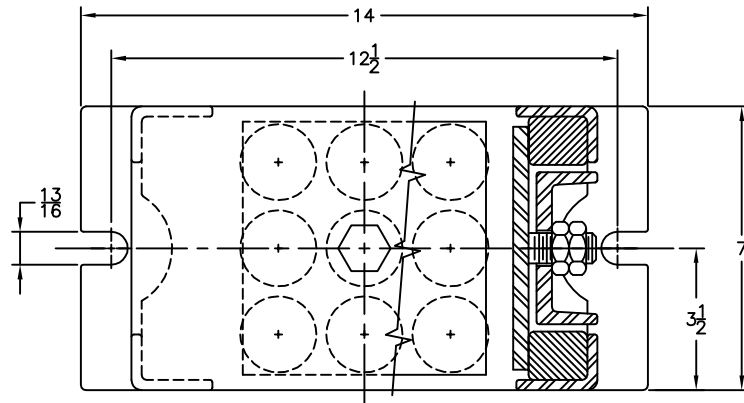


REV.	DESCRIPTION	DATE	BY

PART NUMBER	ISOLATOR MODEL	MAX. STEADY (LBS)	MAX. IMPACT (LBS)	ISOLATOR CONSTANT(LBS)	MIN.FREE HEIGHT	COLOR CODE
604186-50	LKG-50	450	△	225	6 1/4	YELLOW
604186-51	LKG-51	1125	△	563		ORANGE
604186-52	LKG-52	1800	△	1080		BROWN
604186-53	LKG-53	2700	△	1710		BLACK
604186-54	LKG-54	4500	△	3105		GREEN
604186-55	LKG-55	6300	△	5040		BLUE
604186-56	LKG-56	10800	△	14850	4 3/4	PURPLE
604186-45	LKG-45	2925	2340	3960		BROWN
604186-46	LKG-46	4000	3200	7200		RED
604186-47	LKG-47	5400	4320	11025		PURPLE
604186-57	LKG-57	9900	7425	19160		BLUE
604186-68	LKG-68	11700	11025	23850		5 1/4



NOTES:

- ALL DIMENSIONS ARE IN INCHES, INTERPRET PER ANSI Y14
- STANDARD FINISH:
 - A. STEEL WELDMENTS: STANDARD VMC COLOR
 - B. SPRING: POWDER COATED
 - C. HARDWARE: ELECTRO-ZINC PLATED
 - D. CAST COMPONENTS: STANDARD VMC COLOR
- CONTACT VMC FOR ADDITIONAL AVAILABILITY. CURRENTLY UNDER ENGINEERING REVIEW
- EST. UNIT WEIGHT: 55 LBS.
- RECOMMENDED MAXIMUM TORQUING OF ISOLATOR BASE ANCHORS TO 5FT-LBS. AFTER EQUIPMENT IS INSTALLED.
- USE OF BLOCKING IS REQUIRED ALONGSIDE EACH ISOLATOR, EQUAL TO ISOLATOR FREE HEIGHT SO AS TO TEMPORARILY TRANSFER THE EQUIPMENT LOAD ONTO BLOCKING UNTIL THE LOAD IS TRANSFERRED TO THE SPRING BY TURNING ADJUSTING BOLT CAUSING ISOLATOR TO LIFT EQUIPMENT ABOVE BLOCKING. REMOVE BLOCKING AFTER INSTALLATION IS COMPLETE.
- HAND TIGHTEN SIDE SNUBBING BOLT.

OTHER MATERIALS, COMPOUNDS, OR FINISHES WITH EQUAL OR SUPERIOR PROPERTIES MAY BE SUBSTITUTED AS THEY BECOME AVAILABLE.

CERTIFIED FOR:

JOB NAME: _____
 CUSTOMER : _____
 CUSTOMER P.O.: _____
 SALES ORDER: _____

**MODEL LKG 450-11700 LBS.
 SPRING ISOLATOR WITH
 ADJUSTABLE SNUBBER**



THE VMC GROUP
The Power of Together
 Bloomingdale, NJ 07403
 Houston, TX 77041

SCALE:

NONE

SHEET:



DRAWING NO.:

REVISION