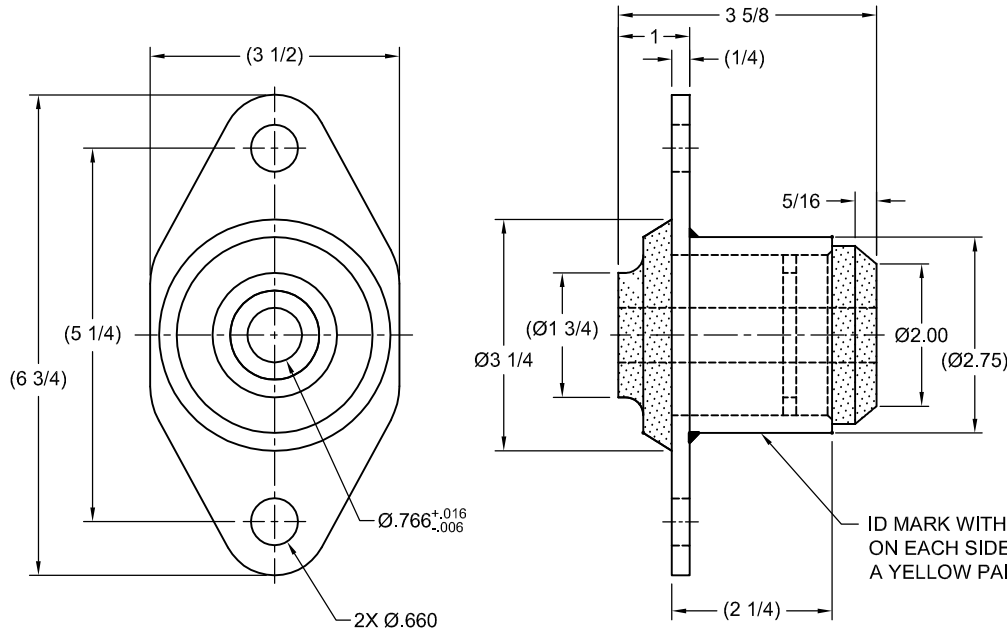
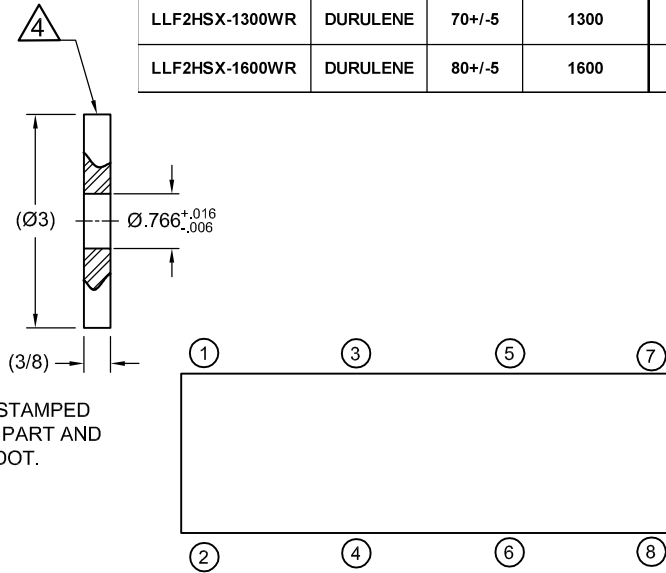


| REV. | DESCRIPTION | DATE | BY |
|------|-------------|------|----|
| | | | |

| MODEL LLF2HSX SPECIAL SNUBBING ISOLATOR | | | | |
|---|----------|--------|------------|---------------|
| MODEL | COMPOUND | DURO | LOAD (LBS) | COLOR CODE |
| LLF2HSX-400WR | DURULENE | 40+/-5 | 400 | DK BROWN |
| LLF2HSX-700WR | DURULENE | 50+/-5 | 700 | RUST RED |
| LLF2HSX-1000WR | DURULENE | 60+/-5 | 1000 | LIME GREEN |
| LLF2HSX-1300WR | DURULENE | 70+/-5 | 1300 | CHARCOAL GRAY |
| LLF2HSX-1600WR | DURULENE | 80+/-5 | 1600 | PURPLE |



ID MARK WITH "0" STAMPED ON EACH SIDE OF PART AND A YELLOW PAINT DOT.



- NOTES:
- MOLDED STEEL AND ELASTOMER MOUNT INTENDED FOR VEHICULAR AND INDUSTRIAL APPLICATIONS. FAIL SAFE WHEN SNUBBING WASHER IS PROPERLY INSTALLED.
 - STANDARD FINISH: HOUSING- ONE COAT BLACK PAINT, HARDWARE- ZINC-ELECTROPLATE.
 - ALL DIMENSIONS AND RATINGS FOR REFERENCE ONLY. CONSULT VMC FOR SPECIFIC LIMITS AND APPLICATIONS.
 - PLATED STEEL SNUBBING WASHER SUPPLIED WITH MOUNT.
 - ALL DIMENSIONS ARE IN INCHES, INTERPRET PER ANSI Y14.

ISOLATOR SELECTIONS

| | |
|----------------------|--------|
| LOC 1: | LOC 2: |
| LOC 3: | LOC 4: |
| LOC 5: | LOC 6: |
| LOC 7: | LOC 8: |
| CUSTOMER EQP'T. TAG: | |

NOTE: MATERIAL SHOWN IS FOR (1) SET.

OTHER MATERIALS, COMPOUNDS, OR FINISHES WITH EQUAL OR SUPERIOR PROPERTIES MAY BE SUBSTITUTED AS THEY BECOME AVAILABLE.

CERTIFIED FOR:

JOB NAME: _____
 CUSTOMER : _____
 CUSTOMER P.O.: _____
 SALES ORDER: _____

MODEL LLF2HSX 400-1600 LBS.
 SNUBBED ELASTOMERIC ISOLATOR



THE VMC GROUP
The Power of Together
 Bloomingdale, NJ 07403
 Houston, TX 77041

SCALE:

NONE

SHEET:



DRAWING NO.:

REVISION