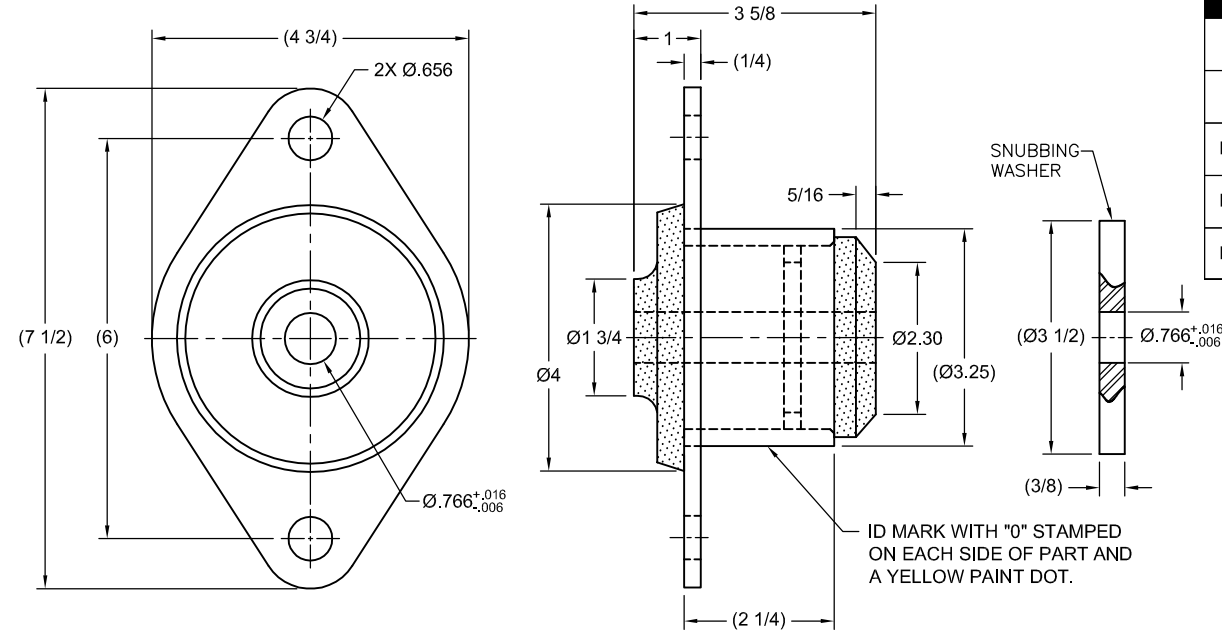
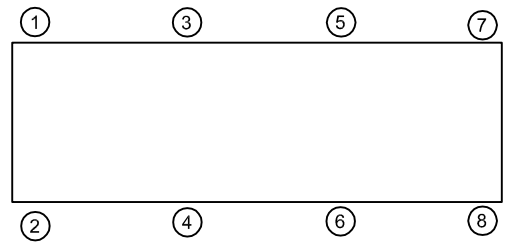


REV.	DESCRIPTION	DATE	BY



MODEL LLF3HSX SPECIAL SNUBBING ISOLATOR				
MODEL	COMPOUND	DURO	LOAD	COLOR CODE
LLF3HSX-400WR	DURULENE	40+/-5	400	DK BROWN
LLF3HSX-700WR	DURULENE	50+/-5	700	RUST RED
LLF3HSX-1000WR	DURULENE	60+/-5	1000	LIME GREEN
LLF3HSX-1300WR	DURULENE	70+/-5	1300	CHARCOAL GRAY
LLF3HSX-1600WR	DURULENE	80+/-5	1600	PURPLE



- NOTES:
- MOLDED STEEL AND ELASTOMER MOUNT INTENDED FOR VEHICULAR AND INDUSTRIAL APPLICATIONS. FAIL SAFE WHEN SNUBBING WASHER IS PROPERLY INSTALLED.
  - STANDARD FINISH: HOUSING- ONE COAT BLACK PAINT, HARDWARE- ZINC-ELECTROPLATE.
  - ALL DIMENSIONS AND RATINGS FOR REFERENCE ONLY. CONSULT VMC FOR SPECIFIC LIMITS AND APPLICATIONS.
  - MOLDED STEEL AND ELASTOMER MOUNT INTENDED FOR VEHICULAR AND INDUSTRIAL APPLICATIONS. FAIL SAFE WHEN SNUBBING WASHER IS PROPERLY INSTALLED.
  - ALL DIMENSIONS ARE IN INCHES, INTERPRET PER ANSI Y14.

ISOLATOR SELECTIONS	
LOC 1:	LOC 2:
LOC 3:	LOC 4:
LOC 5:	LOC 6:
LOC 7:	LOC 8:
CUSTOMER EQP'T. TAG:	

NOTE: MATERIAL SHOWN IS FOR (1) SET.

OTHER MATERIALS, COMPOUNDS, OR FINISHES WITH EQUAL OR SUPERIOR PROPERTIES MAY BE SUBSTITUTED AS THEY BECOME AVAILABLE.

**CERTIFIED FOR:**

JOB NAME: \_\_\_\_\_

CUSTOMER : \_\_\_\_\_

CUSTOMER P.O.: \_\_\_\_\_

SALES ORDER: \_\_\_\_\_

**MODEL LLF3HSX 400-1600 LBS.  
DURULENE SNUBBED ELASTOMERIC  
ISOLATOR**

**THE VMC GROUP**  
The Power of Together  
Bloomington, NJ 07403  
Houston, TX 77041

SCALE : NONE

SHEET: \_\_\_\_\_

DRAWING NO.: \_\_\_\_\_

REVISION \_\_\_\_\_