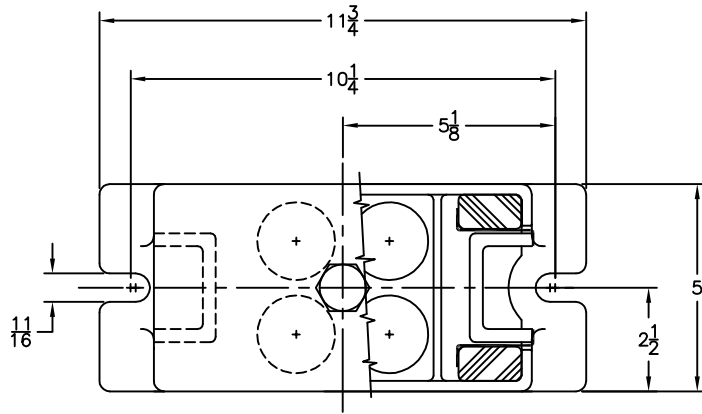
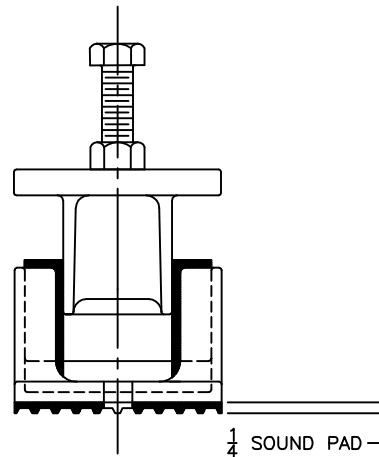
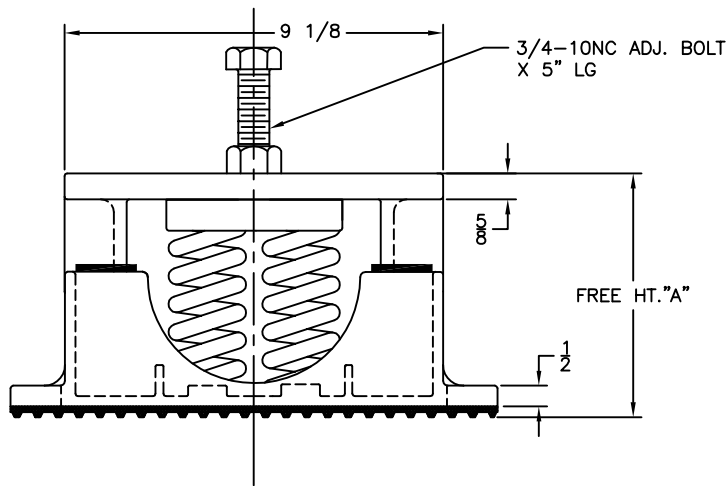


REV.	DESCRIPTION	DATE	BY



PART NUMBER	ISOLATOR MODEL	MAX. STEADY (LBS)	MAX. IMPACT (LBS)	ISOLATOR CONSTANT (LBS)	MIN. FREE HEIGHT	COLOR CODE
603910-50	LNE-50	200	△	100	5 7/8	YELLOW
603910-51	LNE-51	500	△	250		ORANGE
603910-52	LNE-52	800	△	480		BROWN
603910-53	LNE-53	1200	△	760		BLACK
603910-54	LNE-54	2000	△	1380		GREEN
603910-55	LNE-55	2800	△	2240		BLUE
603910-56	LNE-56	4800	△	6600	4 5/8	PURPLE
603910-45	LNE-45	1300	1040	1760		BROWN
603910-46	LNE-46	1800	1440	3200		RED
603910-47	LNE-47	2400	1920	4900		PURPLE
603910-57	LNE-57	4400	3300	8520		BLUE
603910-68	LNE-68	5200	4900	10600		5



NOTES:

- ALL DIMENSIONS ARE IN INCHES, INTERPRET PER ANSI Y14
- STANDARD FINISH: CONTACT VMC FOR ADDITIONAL AVAILABILITY
 - A. STEEL WELDMENTS: STANDARD VMC COLOR
 - B. SPRING: POWDER COATED
 - C. HARDWARE: ELECTRO-ZINC PLATED
- △ CURRENTLY UNDER ENGINEERING REVIEW
- EST. UNIT WEIGHT: 25 LBS.
- RECOMMENDED MAXIMUM TORQUING OF ISOLATOR BASE TO 5FT-LBS. AFTER EQUIPMENT IS INSTALLED.
- USE OF BLOCKING IS REQUIRED ALONGSIDE EACH ISOLATOR, EQUAL TO ISOLATOR FREE HEIGHT SO AS TO TEMPORARILY TRANSFER THE EQUIPMENT LOAD ONTO BLOCKING UNTIL THE LOAD IS TRANSFERRED TO THE SPRING BY TURNING ADJUSTING BOLT CAUSING ISOLATOR TO LIFT EQUIPMENT ABOVE BLOCKING. REMOVE BLOCKING AFTER INSTALLATION IS COMPLETE.

OTHER MATERIALS, COMPOUNDS, OR FINISHES WITH EQUAL OR SUPERIOR PROPERTIES MAY BE SUBSTITUTED AS THEY BECOME AVAILABLE.

CERTIFIED FOR:

JOB NAME: _____
 CUSTOMER : _____
 CUSTOMER P.O.: _____
 SALES ORDER: _____

**MODEL LNE 200-5200 LBS.
 SPRING ISOLATOR**



THE VMC GROUP
The Power of Together
 Bloomingdale, NJ 07403
 Houston, TX 77041

SCALE :

NONE

SHEET:



DRAWING NO.:

REVISION