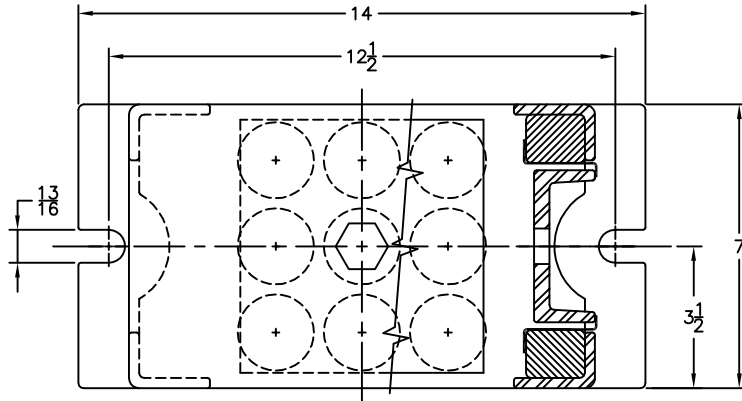
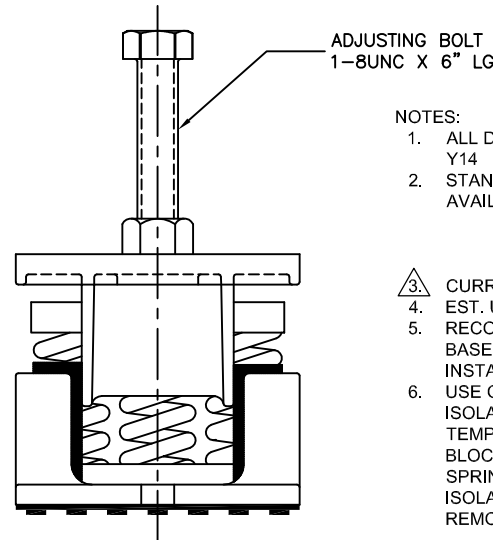
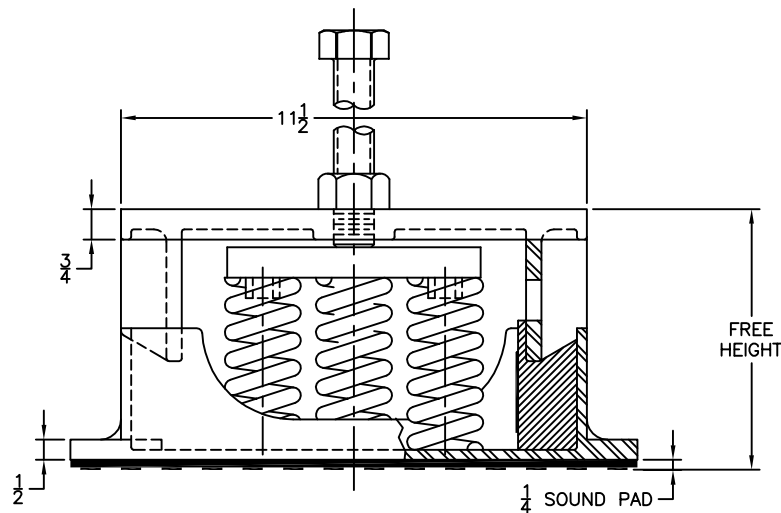


REV.	DESCRIPTION	DATE	BY





PART NUMBER	ISOLATOR MODEL	MAX. STEADY (LBS)	MAX. IMPACT (LBS)	ISOLATOR CONSTANT (LBS)	MIN. FREE HEIGHT	COLOR CODE
604305-50	LNG-50	450	△	225	6 1/4	YELLOW
604305-51	LNG-51	1125	△	563		ORANGE
604305-52	LNG-52	1800	△	1080		BROWN
604305-53	LNG-53	2700	△	1710		BLACK
604305-54	LNG-54	4500	△	3105		GREEN
604305-55	LNG-55	6300	△	5040		BLUE
604305-56	LNG-56	10800	△	14850	4 3/4	PURPLE
604305-45	LNG-45	2925	2340	3960		BROWN
604305-46	LNG-46	4000	3200	7200	RED	
604305-47	LNG-47	5400	4320	11025	PURPLE	
604305-57	LNG-57	9900	7425	19160	4 7/8	BLUE
604305-68	LNG-68	11700	11025	23850	5 1/4	GREEN



NOTES:

- ALL DIMENSIONS ARE IN INCHES, INTERPRET PER ANSI Y14
- STANDARD FINISH: CONTACT VMC FOR ADDITIONAL AVAILABILITY
  - A. STEEL WELDMENTS: STANDARD VMC COLOR
  - B. SPRING: POWDER COATED
  - C. HARDWARE: ELECTRO-ZINC PLATED
- △ CURRENTLY UNDER ENGINEERING REVIEW
- EST. UNIT WEIGHT: 55 LBS.
- RECOMMENDED MAXIMUM TORQUING OF ISOLATOR BASE ANCHORS TO 5FT-LBS. AFTER EQUIPMENT IS INSTALLED.
- USE OF BLOCKING IS REQUIRED ALONGSIDE EACH ISOLATOR, EQUAL TO ISOLATOR FREE HEIGHT SO AS TO TEMPORARILY TRANSFER THE EQUIPMENT LOAD ONTO BLOCKING UNTIL THE LOAD IS TRANSFERRED TO THE SPRING BY TURNING ADJUSTING BOLT CAUSING ISOLATOR TO LIFT EQUIPMENT ABOVE BLOCKING. REMOVE BLOCKING AFTER INSTALLATION IS COMPLETE.

OTHER MATERIALS, COMPOUNDS, OR FINISHES WITH EQUAL OR SUPERIOR PROPERTIES MAY BE SUBSTITUTED AS THEY BECOME AVAILABLE.

<p><b>CERTIFIED FOR:</b></p> <p>JOB NAME: _____</p> <p>CUSTOMER : _____</p> <p>CUSTOMER P.O.: _____</p> <p>SALES ORDER: _____</p>	<p><b>MODEL LNG 450-11700 LBS. SPRING ISOLATOR</b></p>	 <p><b>THE VMC GROUP</b> <i>The Power of Together</i> Bloomingdale, NJ 07403 Houston, TX 77041</p>	<p>SCALE : <b>NONE</b></p> <p>SHEET: _____</p> <p>DRAWING NO.: _____</p>		<p>REVISION</p>
---	--	---	--	---	-----------------