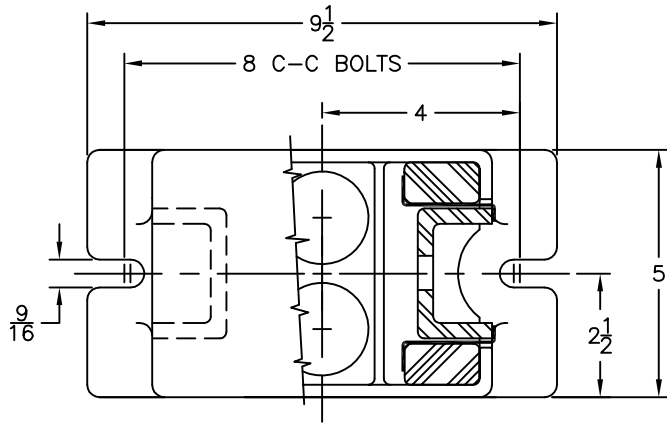
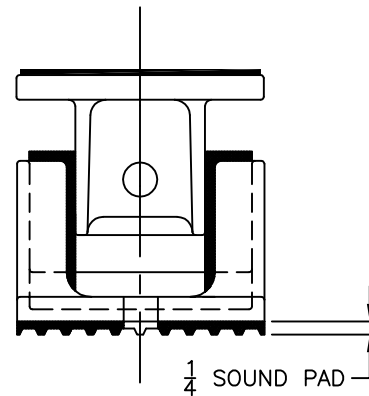
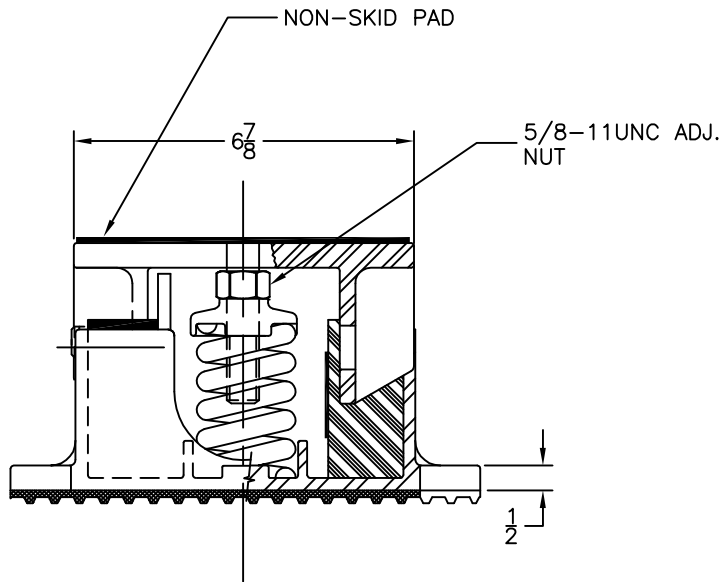


REV.	DESCRIPTION	DATE	BY



PART NUMBER	ISOLATOR MODEL	MAX. STEADY (LBS)	MAX. IMPACT (LBS)	ISOLATOR CONSTANT (LBS)	MIN. FREE HEIGHT	COLOR CODE
603260-50	LOD-50	100	△	50	6 1/2	YELLOW
603260-51	LOD-51	250	△	125		ORANGE
603260-52	LOD-52	400	△	240		BROWN
603260-53	LOD-53	600	△	380		BLACK
603260-54	LOD-54	1000	△	690		GREEN
603260-55	LOD-55	1400	△	1120	5 1/8	BLUE
603260-56	LOD-56	2400	△	3300		PURPLE
603260-45	LOD-45	650	520	880		BROWN
603260-46	LOD-46	900	720	1600	5 1/2	RED
603260-47	LOD-47	1200	960	2450		PURPLE
603260-57	LOD-57	2200	1650	4260	5 1/2	BLUE
603260-68	LOD-68	2600	2450	5300		GREEN



NOTES:

- ALL DIMENSIONS ARE IN INCHES, INTERPRET PER ANSI Y14
- STANDARD FINISH: CONTACT VMC FOR ADDITIONAL AVAILABILITY
 - A. STEEL WELDMENTS: STANDARD VMC COLOR
 - B. SPRING: POWDER COATED
 - C. HARDWARE: ELECTRO-ZINC PLATED
- MINIMUM OPERATING HEIGHT IS 4 1/2" OR FREE HT.-STATIC SPRING DEFLECTION
- △ CURRENTLY UNDER ENGINEERING REVIEW
- EST. UNIT WEIGHT: 17 LBS.
- RECOMMENDED MAXIMUM TORQUING OF ISOLATOR BASE ANCHORS TO 5FT.-LBS. AFTER EQUIPMENT IS INSTALLED.
- USE OF BLOCKING IS REQUIRED ALONGSIDE EACH ISOLATOR, EQUAL TO ISOLATOR FREE HEIGHT SO AS TO TEMPORARILY TRANSFER THE EQUIPMENT LOAD ONTO BLOCKING UNTIL THE LOAD IS TRANSFERRED TO THE SPRING BY TURNING ADJUSTING BOLT CAUSING ISOLATOR TO LIFT EQUIPMENT ABOVE BLOCKING. REMOVE BLOCKING AFTER INSTALLATION IS COMPLETE.

OTHER MATERIALS, COMPOUNDS, OR FINISHES WITH EQUAL OR SUPERIOR PROPERTIES MAY BE SUBSTITUTED AS THEY BECOME AVAILABLE.

CERTIFIED FOR:

JOB NAME: _____
 CUSTOMER : _____
 CUSTOMER P.O.: _____
 SALES ORDER: _____

MODEL LOD 100-2600 LBS.
 SPRING ISOLATOR



THE VMC GROUP
The Power of Together
 Bloomingdale, NJ 07403
 Houston, TX 77041

SCALE:

NONE

SHEET:



DRAWING NO.:

REVISION