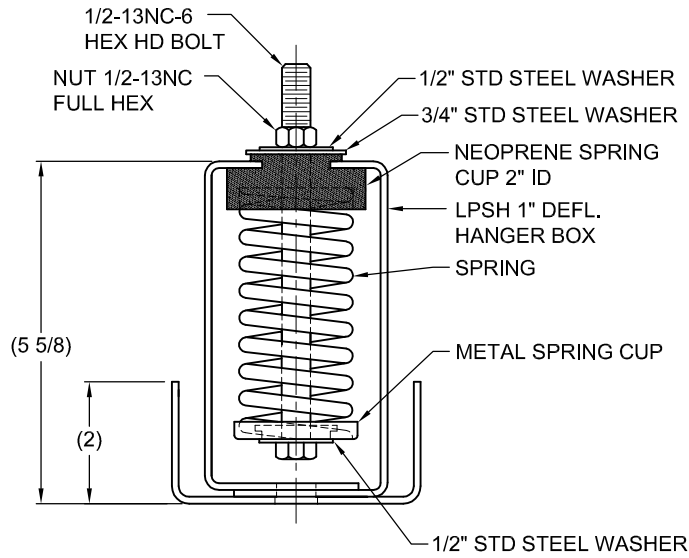
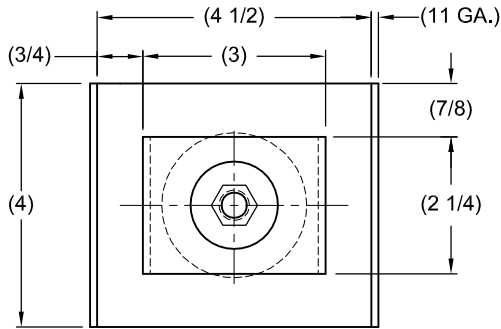


REV.	DESCRIPTION	DATE	BY



TYPE LPSH-2Q SPRING HANGERS FOR 2" NOMINAL DEFLECTION				
HANGER	RATED LOAD (LBS)	DEFLECTION (IN)	SPRING RATE (LB/IN)	SPRING COLOR CODE
LPSH-2Q-70-0DD <sup>1</sup>	70	1.56	45	DK. BLUE
LPSH-2Q-110-0DD <sup>1</sup>	110	1.83	60	BLACK
LPSH-2Q-195-0DD <sup>1</sup>	195	1.57	125	DK. GREEN
LPSH-2Q-340-0DD <sup>1</sup>	340	1.51	225	YELLOW

NOTE:  
1. PART NUMBER IS SHOWN FOR -0DD OPTION. SEE SHEETS 2 & 3 FOR OPTIONS AND ACCESSORIES

- NOTES:**
- HANGER RODS, NUTS AND WASHERS, AS SHOWN, NOT BY THE VMC GROUP.
  - STANDARD FINISH: HANGER BOX - PAINTED, POWDER COATED OR GALVANIZED STEEL , SPRING - POWDER COAT.
  - ALL DIMENSIONS IN INCHES. INTERPRET PER ANSI Y14.
  - ALL DIMENSIONS ARE FOR REFERENCE, DIMENSIONS SHOWN AS NOMINAL.
  - ALL SPRINGS ARE DESIGNED WITH MINIMUM 50% OVER-TRAVEL.
  - HANGER BOXES ARE AVAILABLE PRE-COMPRESSED UP TO THEIR DESIGNATED MAX. LOAD. PERCENTAGE OF PRE-COMPRESSION TO BE DETERMINED BY ENGINEERED APPLICATION OR AS REQUESTED BY CUSTOMER. CONSULT FACTORY FOR POSSIBLE ADDITIONAL PARAMETERS AND OR LIMITATIONS.
  - RATED DEFLECTIONS ARE WITHIN 25% OF NOMINAL. HIGHER DEFLECTIONS ARE ALLOWED IF THEY MEET SPECIFICATIONS.

OTHER MATERIALS, COMPOUNDS, OR FINISHES WITH EQUAL OR SUPERIOR PROPERTIES MAY BE SUBSTITUTED AS THEY BECOME AVAILABLE.

**CERTIFIED FOR:**

JOB NAME: \_\_\_\_\_  
 CUSTOMER : \_\_\_\_\_  
 CUSTOMER P.O.: \_\_\_\_\_  
 SALES ORDER: \_\_\_\_\_

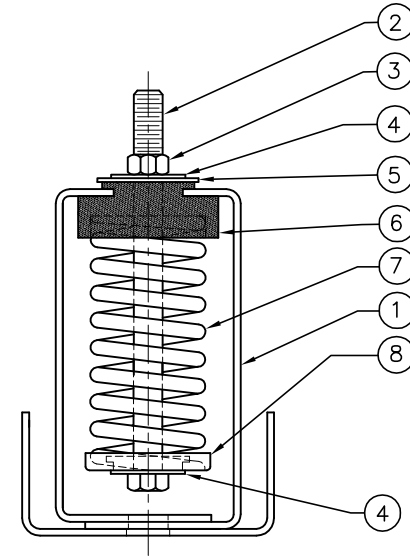
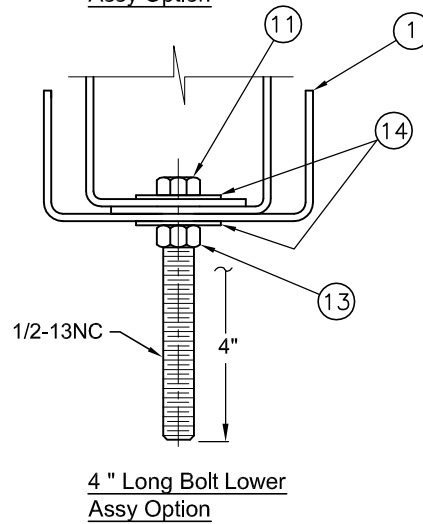
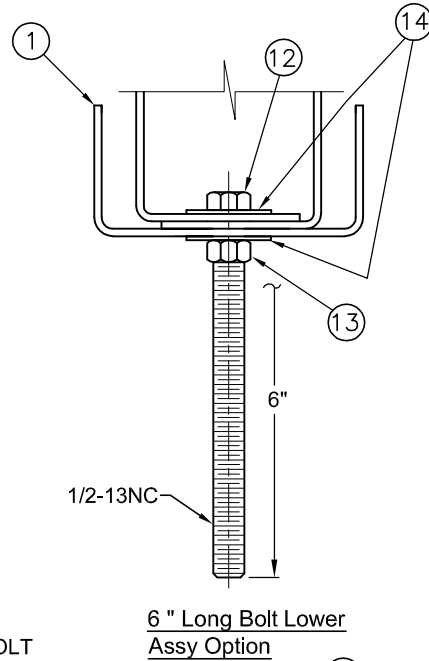
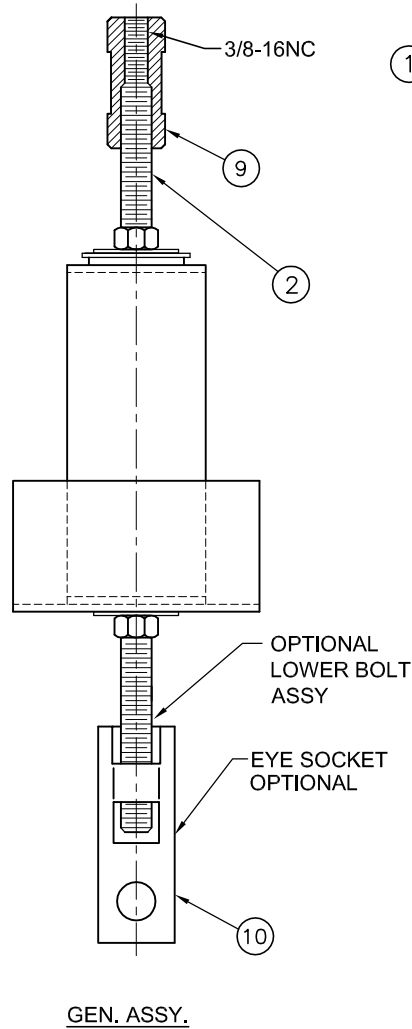
**MODEL LPSH-2Q 70-340 LBS.  
 LOW PROFILE SPRING HANGER BOX  
 2 INCH DEFLECTION**



**THE VMC GROUP**  
*The Power of Together*  
 Bloomingdale, NJ 07403  
 Houston, TX 77041

SCALE :	NONE	Member <b>VISCMA</b>
SHEET:	1 OF 3	
DRAWING NO.:		REVISION

REV.	DESCRIPTION	DATE	BY



NOTE:  
1. SEE SHEET 3 FOR OPTIONS/ACCESSORIES BOM.

OTHER MATERIALS, COMPOUNDS, OR FINISHES WITH EQUAL OR SUPERIOR PROPERTIES MAY BE SUBSTITUTED AS THEY BECOME AVAILABLE.

**CERTIFIED FOR:**

JOB NAME: \_\_\_\_\_  
 CUSTOMER: \_\_\_\_\_  
 CUSTOMER P.O.: \_\_\_\_\_  
 SALES ORDER: \_\_\_\_\_

**MODEL LPSH-2Q 70-340 LBS.  
 LOW PROFILE SPRING HANGER BOX  
 2 INCH DEFLECTION**



**THE VMC GROUP**  
*The Power of Together*  
 Bloomingdale, NJ 07403  
 Houston, TX 77041

SCALE:  
NONE

SHEET:  
2 OF 3

DRAWING NO.: \_\_\_\_\_ REVISION

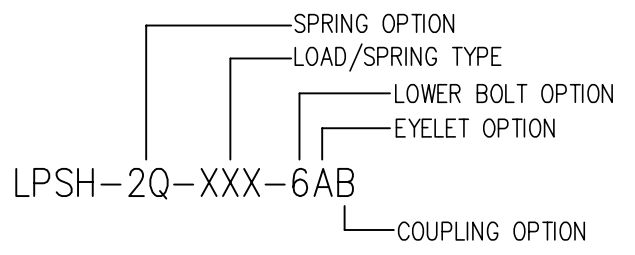


REV.	DESCRIPTION	DATE	BY

2	2									14	141026	WSHR, FLAT 9/16 X 1 3/8 X 1/16 ,(LOWER) (1/2" STD.STL)
1	1									13	141585	NUT, FULL HEX. 1/2"-13 NC-2B , (LOWER)
1										12	141151	BOLT, HEX. HD. 1/2-13NC X 6" LG. FULL THRD., (LOWER)
	1									11	141119	BOLT, HEX. HD. 1/2-13NC X 4" LG. FULL THRD.,(LOWER)
		1	1	2						10	141561-1	EYELET SOCKET, STRAIGHT
						1	1	2		9	141562-1	COUPLING,REDUCER,ROD 1/2" - 3/8"
6	4	0	A	B	C	D	A	B	C	D		
LOWER BOLT OPTION	EYELET OPTION		COUPLING OPTION		ITEM #	PART/ DWG. #	DESCRIPTION					

**OPTIONS / ACCESSORIES B.O.M.**  
(IN ADDITION TO TABLE 1 ASSEMBLY)

8	SPRING CUP W/ 1-1/4 HOLE	1
7	(SPRING) AS REQUIRED PER ORDER	1
6	SPG. CUP, 2 1/16" W/ 25/32" HOLE	1
5	WSHR. FLAT 3/4 X 2 X 3/16	2
4	WSHR, FLAT 9/16 X 1 3/8 X 1/16, (LOWER) (1/2" STD.STL)	1
3	NUT, FULL HEX 1/2-13NC	1
2	BOLT HEX HD. 1/2-13NC-6	1
1	LPSH 1" DEFL. HANGER BOX	1
ITEM #	DESCRIPTION	QTY.



**PART NUMBER EXAMPLE**

SPRING OPTION	LOWER BOLT OPTION	EYELET OPTION	COUPLING OPTION
LPSH - 2Q-70 = 70# 2Q-110 = 110# 2Q-195 = 195# 2Q-340 = 340#	0=NO BOLT 4=4"LONG 6=6"BOLT	A=TOP ONLY B=BOTTOM ONLY C=TOP & BOTTOM D=NONE	A=TOP ONLY B=BOTTOM ONLY C=TOP & BOTTOM D=NONE

**PRODUCT NUMBERING SUFFIX**

**TABLE 1-BASIC HANGER ASSY BOM**

**COMPLETE ASSY. REQ'D.  
WITH OR WITHOUT OPTIONS**

OTHER MATERIALS, COMPOUNDS, OR FINISHES WITH EQUAL OR SUPERIOR PROPERTIES MAY BE SUBSTITUTED AS THEY BECOME AVAILABLE.

**CERTIFIED FOR:**

JOB NAME: \_\_\_\_\_

CUSTOMER: \_\_\_\_\_

CUSTOMER P.O.: \_\_\_\_\_

SALES ORDER: \_\_\_\_\_

**MODEL LPSH-2Q 70-340 LBS.  
LOW PROFILE SPRING HANGER BOX  
2 INCH DEFLECTION**



SCALE: NONE

SHEET: 3 OF 3

DRAWING NO.: \_\_\_\_\_

REVISION: \_\_\_\_\_

Member **VISCMA**