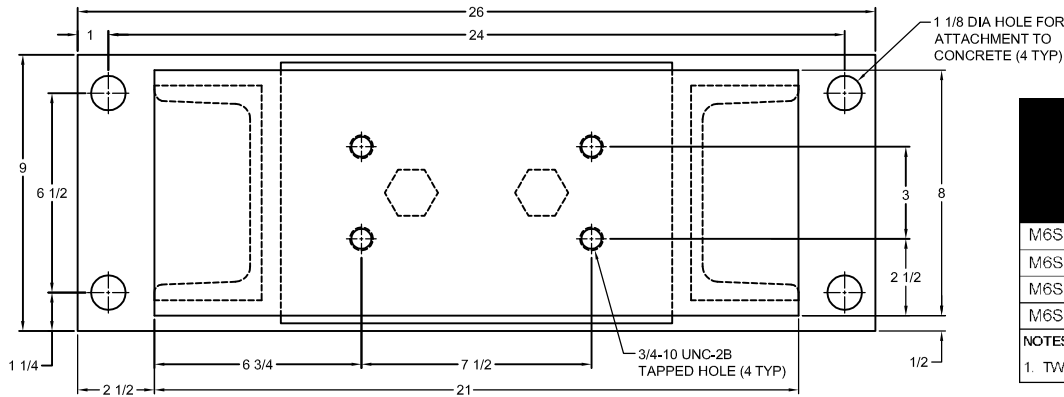
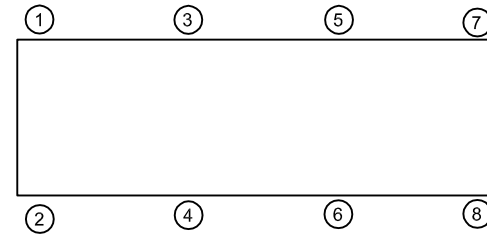
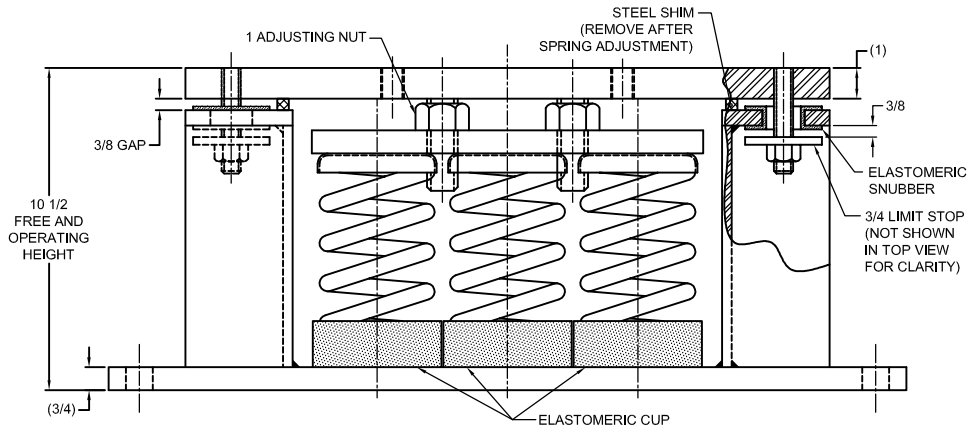


REV.	DESCRIPTION	DATE	BY



TYPE M6S-2F 6-SPRING SEISMIC ISOLATORS FOR NOMINAL 2" DEFLECTION				
MODEL	RATED LOAD (LBS)	RATED DEFLECTION (IN)	SPRING RATE (LB/IN)	SPRING COLOR CODE
M6S-2F-9000N	9000	2.00	4500	GREEN/RED
M6S-2F-10050N ¹	10050	2.00	5025	GRAY/BLACK
M6S-2F-11400N ¹	11400	2.00	5700	GRAY/RED
M6S-2F-13200N ¹	13200	2.00	6600	GRAY/GREEN

NOTES:
 1. TWO NESTED SPRINGS YIELD THIS LOAD. THE COLOR CODE INDICATED IS FOR OUTER SPRING/ INNER SPRING.



ISOLATOR SELECTIONS

LOC 1:	LOC 2:
LOC 3:	LOC 4:
LOC 5:	LOC 6:
LOC 7:	LOC 8:
CUSTOMER EQP'T. TAG:	

NOTE: MATERIAL SHOWN IS FOR (1) SET.

OTHER MATERIALS, COMPOUNDS, OR FINISHES WITH EQUAL OR SUPERIOR PROPERTIES MAY BE SUBSTITUTED AS THEY BECOME AVAILABLE.

NOTES:

- STANDARD ISOLATOR FINISH: WELDED HOUSINGS AND CASTINGS- ONE COAT BLACK PAINT, SPRINGS- POWDER COAT, HARDWARE- ZINC ELECTROPLATE.
- STATIC LOAD RATINGS ON SHEET 2 OF 2 ARE FOR GUIDANCE ONLY. VALUES ARE BASED ON TESTS OR CALCULATIONS WITH BASE PLATES BOLTED TO STEEL. FOR ATTACHMENT TO CONCRETE, CONSULT FACTORY.
- RATED DEFLECTIONS ARE WITHIN 25% OF NOMINAL. HIGHER DEFLECTIONS ARE ALLOWED IF THEY MEET SPECIFICATIONS.

CERTIFIED FOR:

JOB NAME: _____
 CUSTOMER : _____
 CUSTOMER P.O.: _____
 SALES ORDER: _____

**MODEL M6S-2F 9000-13200 LBS.
 VIBRATION ISOLATOR SEISMIC
 RESTRAINT
 2 INCH DEFLECTION**



THE VMC GROUP
The Power of Together
 Bloomingdale, NJ 07403
 Houston, TX 77041

SCALE :
NONE
 SHEET:



DRAWING NO.: _____ REVISION

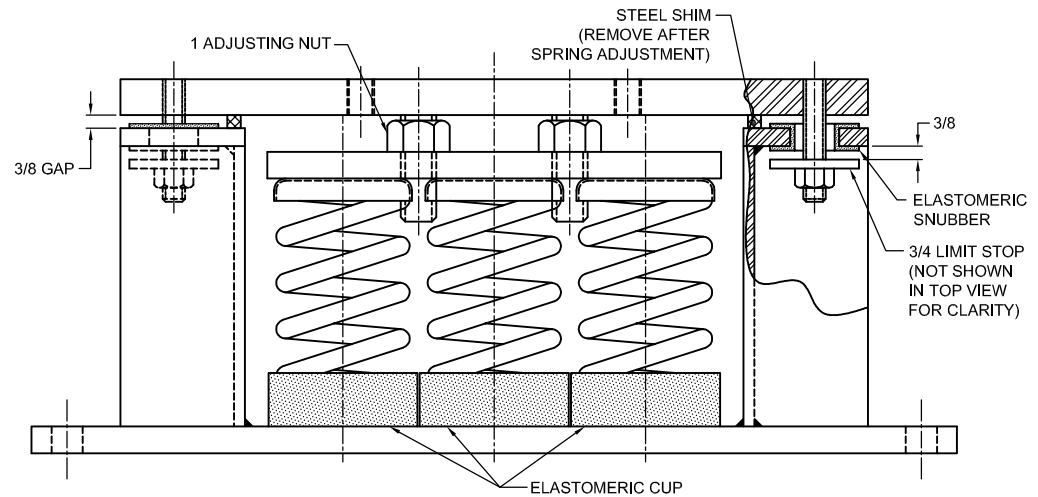
REV.	DESCRIPTION	DATE	BY

INSTALLATION AND ADJUSTMENT INSTRUCTIONS

- 1) LOCATE MOUNTING AS SPECIFIED ON INSTALLATION DRAWING.
- 2) ATTACH MOUNTS TO SUPPORT STRUCTURES.
- 3) PLACE EQUIPMENT ON MOUNTS.
- 4) LOOSEN LIMIT STOP NUTS (DO NOT REMOVE).
- 5) TURN ADJUSTING NUT (MAINTAIN EVEN LOADING ON ALL ADJUSTING NUTS).
- 6) REPEAT STEPS 1 THROUGH 5 GOING FROM MOUNT TO MOUNT UNTIL EQUIPMENT IS RAISED SUFFICIENTLY TO PERMIT REMOVAL OF STEEL SHIMS.
- 7) CHECK LEVEL OF EQUIPMENT & ADJUST MOUNTS ACCORDINGLY.
- 8) AFTER ALL MOUNTS HAVE BEEN ADJUSTED TIGHTEN LIMIT STOP NUT TO MAINTAIN GAP AS ILLUSTRATED.

NOTES:

- 1) TOP PLATE OF HOUSING MUST BE FULLY LOADED BY THE EQUIPMENT SUPPORTING BRACKET OR STRUCTURAL STEEL BASE.



OTHER MATERIALS, COMPOUNDS, OR FINISHES WITH EQUAL OR SUPERIOR PROPERTIES MAY BE SUBSTITUTED AS THEY BECOME AVAILABLE.

CERTIFIED FOR:

JOB NAME: _____
 CUSTOMER : _____
 CUSTOMER P.O.: _____
 SALES ORDER: _____

**MODEL M6S-2F 9000-13200 LBS.
 VIBRATION ISOLATOR SEISMIC
 RESTRAINT
 2 INCH DEFLECTION**



THE VMC GROUP
The Power of Together
 Bloomingdale, NJ 07403
 Houston, TX 77041

SCALE :
NONE
 SHEET:



DRAWING NO.: _____ REVISION