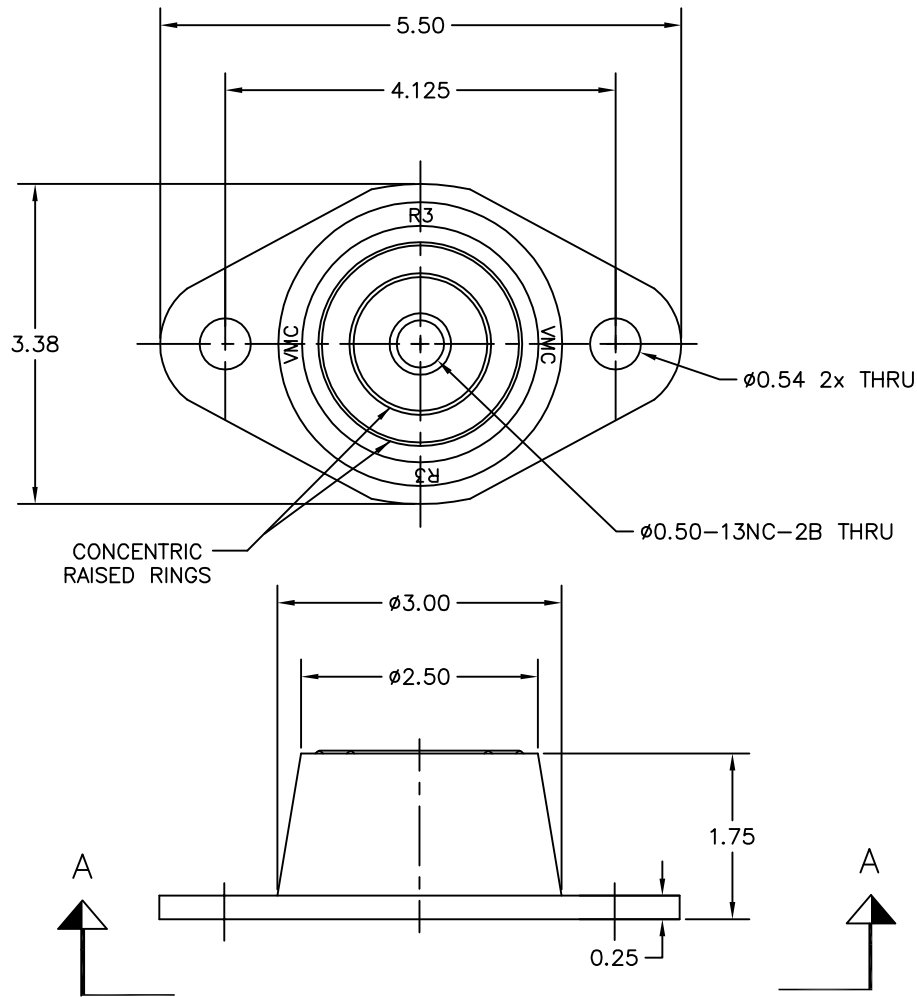
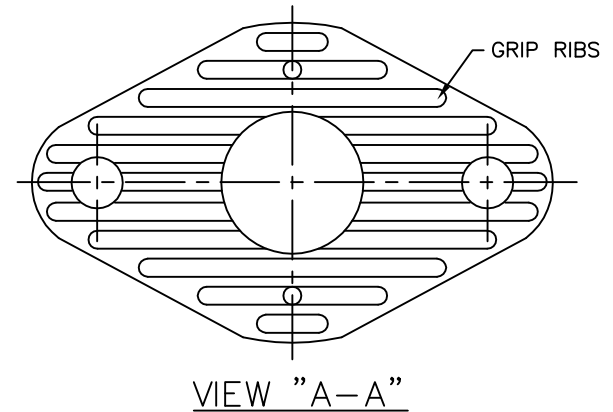


114R-103758 REV.: 3

| REV. | DESCRIPTION | DATE | BY |
|------|-------------|------|----|
|      |             |      |    |



| PART NUMBER | MODEL    | RATED AXIAL LOAD (LBS) | DEFLECTION (IN) |
|-------------|----------|------------------------|-----------------|
| 330744      | R3-BLACK | 250                    | 0.25            |
| 330647      | R3-RED   | 525                    | 0.25            |
| 330442      | R3-GREEN | 750                    | 0.25            |
| 330345      | R3-GRAY  | 1100                   | 0.25            |



- NOTES:
1. ALL DIMENSIONS ARE NOMINAL IN INCHES. INTERPRET PER ANSI Y14.
  2. MOLDED STEEL AND ELASTOMERIC ISOLATOR NON FAIL SAFE, SERVICE CONDITIONS. CONTACT THE VMC GROUP FOR APPLICABILITY
  3. MODEL COLORS ARE MOUNT IDENTIFICATION MARKINGS WHICH ARE AN ACCEPTABLE ADDITION TO MODEL TYPE STAMPING
  4. ADDITIONAL ELASTOMER TYPES & CAPACITIES AVAILABLE, CONTACT THE VMC GROUP FOR APPLICABILITY.

OTHER MATERIALS, COMPOUNDS, OR FINISHES WITH EQUAL OR SUPERIOR PROPERTIES MAY BE SUBSTITUTED AS THEY BECOME AVAILABLE.

**CERTIFIED FOR:**

JOB NAME: \_\_\_\_\_

CUSTOMER: \_\_\_\_\_

CUSTOMER P.O.: \_\_\_\_\_

SALES ORDER: \_\_\_\_\_

**MODEL R3 250-1100 LBS.  
ELASTOMERIC ISOLATOR  
0.25 INCH DEFLECTION**



**THE VMC GROUP**  
The Power of Together  
Bloomington, NJ 07403  
Houston, TX 77041

SCALE: NONE

SHEET: \_\_\_\_\_



DRAWING NO.: \_\_\_\_\_

REVISION \_\_\_\_\_