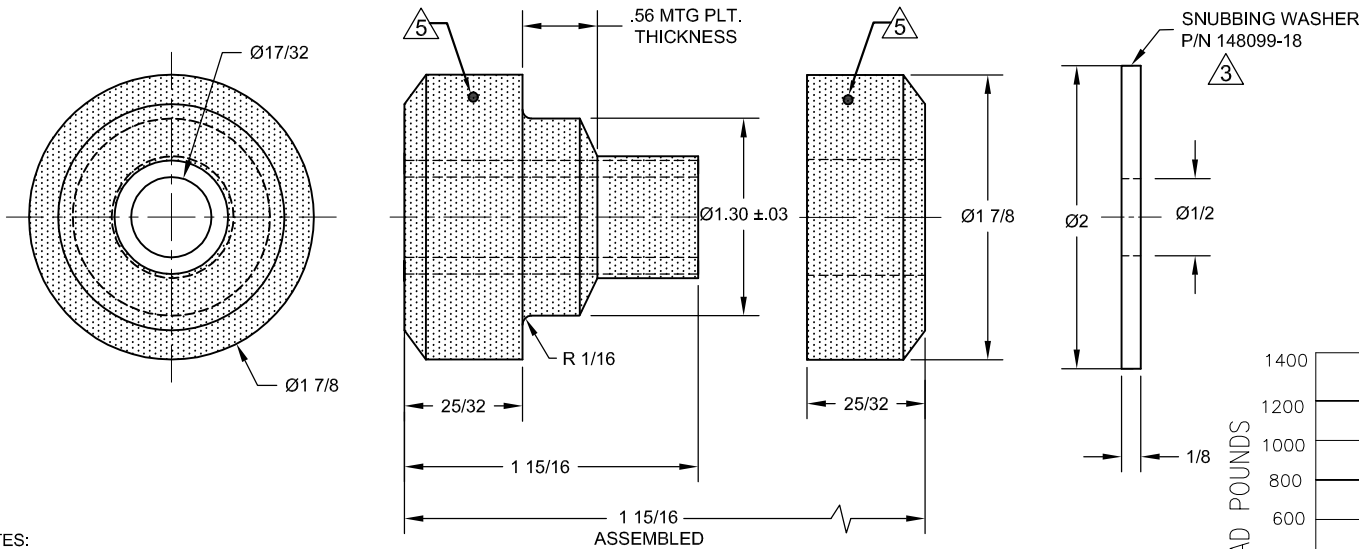


REV.	DESCRIPTION	DATE	BY

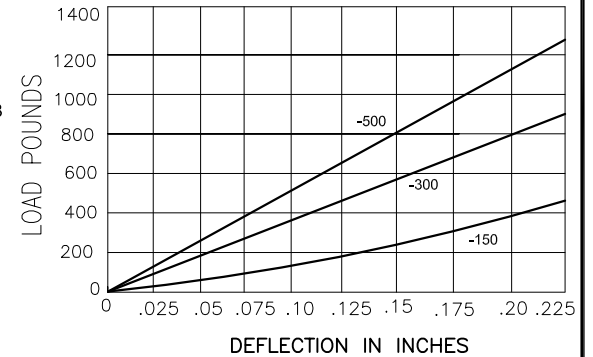
PART NO.	MODEL NO.	AXIAL STATIC LOAD MAX LBS.	RADIAL STATIC LOAD MAX LBS.	DUROMETER ± 5	COLOR CODE	MATERIAL
770006-1	RB2-150	150	60	50	RED	BR BRG NEO
770006-2	RB2-300	300	120	60	GREEN	BR BRG NEO
770006-3	RB2-500	500	200	70	YELLOW	BR BRG NEO
770006-5	RB2-300 WR	300	120	60	LIME GREEN [△] 6	DURULENE



NOTES:

1. ALL DIMENSIONS ARE IN INCHES .INTERPRET PER ANSI Y14
2. ALL DIMENSIONS ARE NOMINAL AND FOR REFERENCE ONLY.
3. SNUBBING WASHER IS OPTIONAL, ORDER SEPERATE ON PURCHASE ORDER.
FINISH :YELLOW ZINC PLATED PER ASTM B633 TYPE II, CLASS SC 3 UNLESS OTHERWISE SPECIFIED .
4. COLOR-CODE "MARK "IS AN ACCEPTABLE ADDITION TO MODEL STAMPING .
5. STAMPING SURFACE LOCATION AS MARKED ON DRAWING.
6. COLOR-CODE APPLIES TO ACTUAL MATERIAL NOT THE COLOR MARKING.
7. 17/32" HOLE FOR 1/2" BOLT

AXIAL LOAD Vs. DEFLECTION



OTHER MATERIALS, COMPOUNDS, OR FINISHES WITH EQUAL OR SUPERIOR PROPERTIES MAY BE SUBSTITUTED AS THEY BECOME AVAILABLE.

CERTIFIED FOR:

JOB NAME: _____
 CUSTOMER : _____
 CUSTOMER P.O.: _____
 SALES ORDER: _____

**MODEL RB2 150-500 LBS.
 RING AND BUSHING
 ELASTOMERIC ISOLATOR**



THE VMC GROUP
The Power of Together
 Bloomingdale, NJ 07403
 Houston, TX 77041

SCALE :

NONE

SHEET:

1 OF 1



DRAWING NO.:

REVISION