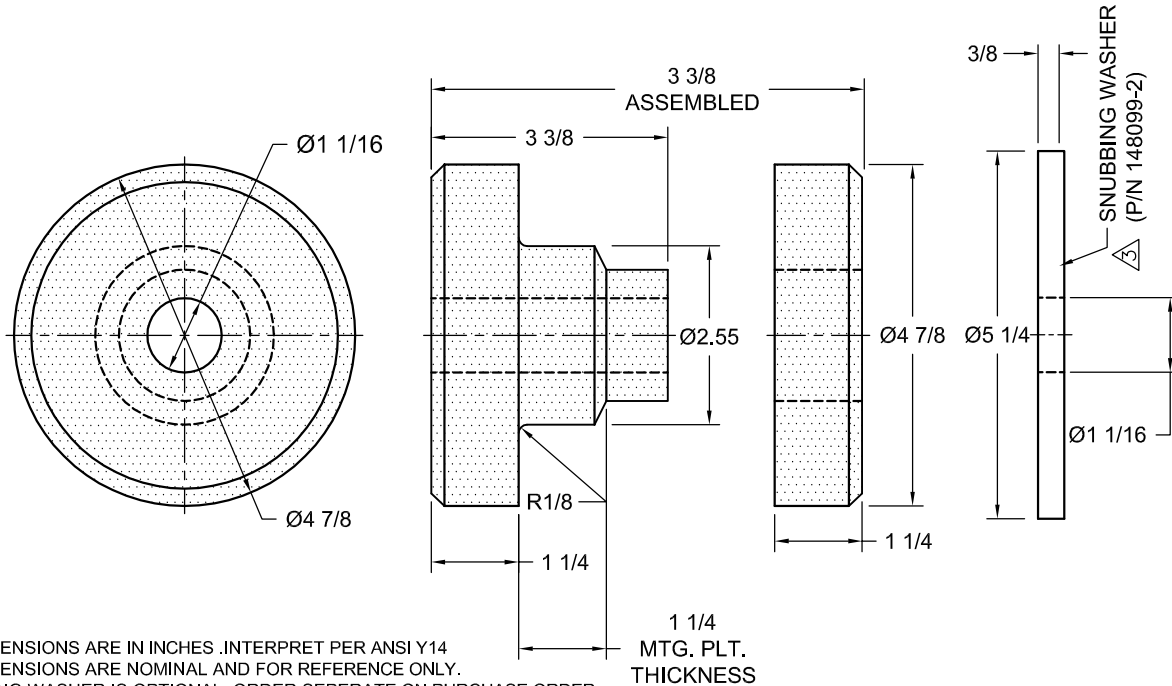
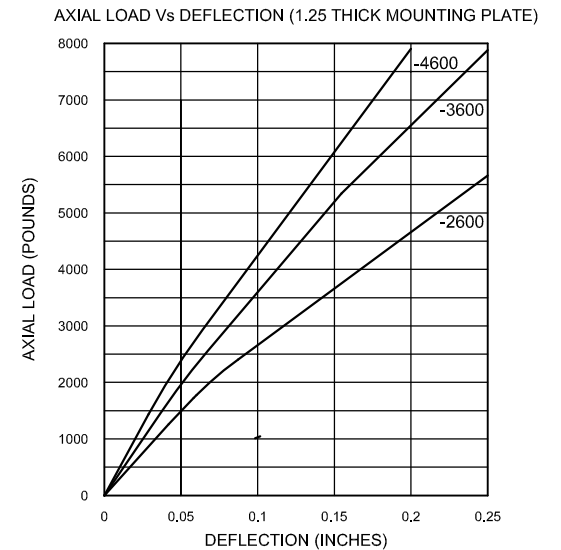


REV.	DESCRIPTION	DATE	BY

MODEL RB5 DURULENE ELASTOMERIC RING & BUSHING ASSY.					
PART NUMBER	MODEL NO.	SHORE A DUROMETER	AXIAL STATIC LOAD MAX LBS.	RADIAL STATIC LOAD MAX LBS.	COLOR
110A-100669-01	RB5-1000-WR	30	△	△	LT. BLUE
110A-100669-02	RB5-1800-WR	40			DK. BRN
110A-100669-03	RB5-2600-WR	50	2600	1000	RUST RED
110A-100669-04	RB5-3600-WR	60	3600	1450	LIME GRN
110A-100669-05	RB5-4600-WR	70	4600	1900	CHARCOAL GRAY
110A-100669-06	RB5-5600-WR	80	△	△	PURPLE



- NOTES:
1. ALL DIMENSIONS ARE IN INCHES .INTERPRET PER ANSI Y14
  2. ALL DIMENSIONS ARE NOMINAL AND FOR REFERENCE ONLY.
  - △ SNUBBING WASHER IS OPTIONAL, ORDER SEPERATE ON PURCHASE ORDER.
  - FINISH :YELLOW ZINC PLATED PER ASTM B633 TYPE II, CLASS SC 3 UNLESS OTHERWISE SPECIFIED .
  - △ CURRENTLY UNDER ENGINEERING REVIEW CONTACT VMC FOR AVAILABILITY
  5. COLOR-CODE APPLIES TO ACTUAL MATERIAL
  6. 1 1/16" HOLE FOR 1" BOLT



OTHER MATERIALS, COMPOUNDS, OR FINISHES WITH EQUAL OR SUPERIOR PROPERTIES MAY BE SUBSTITUTED AS THEY BECOME AVAILABLE.

**CERTIFIED FOR:**

JOB NAME: \_\_\_\_\_  
 CUSTOMER : \_\_\_\_\_  
 CUSTOMER P.O.: \_\_\_\_\_  
 SALES ORDER: \_\_\_\_\_

**MODEL RB5 2600-4600 LBS.  
 DURULENE  
 RING AND BUSHING  
 ELASTOMERIC ISOLATOR**



**THE VMC GROUP**  
*The Power of Together*  
 Bloomingdale, NJ 07403  
 Houston, TX 77041

SCALE:

NONE

SHEET:

1 OF 1

DRAWING NO.:

REVISION

