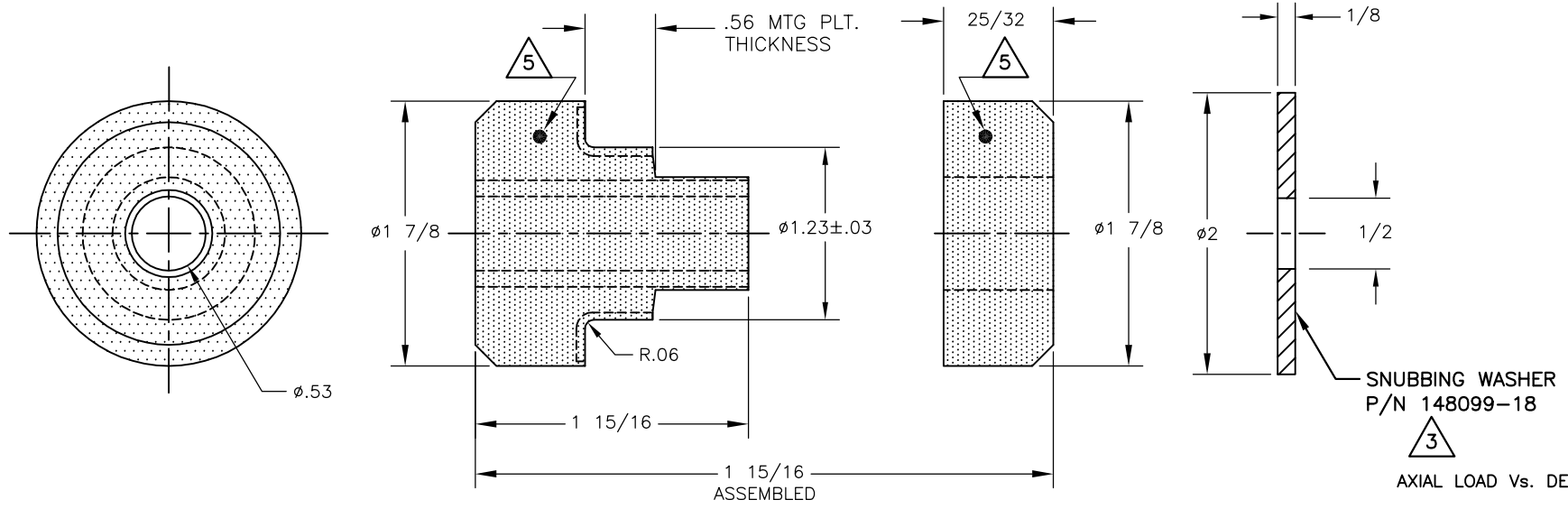


REV.	DESCRIPTION	DATE	BY

TYPE RBS2 ELASTOMERIC RING & BUSHING NITRILE						
PART NO.	MODEL NO.	AXIAL STAIC LOAD MAX.	RADIAL STATIC LOAD MAX LBS.	DUROMETER	COLOR CODE	MATERIAL
RBS2-350Ni	RBS2-350	⚠	⚠	55	RED	NITRILE

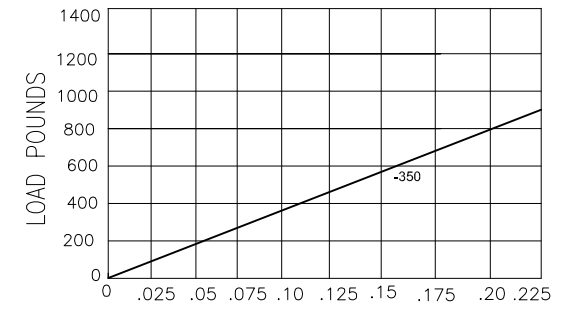
⚠



SNUBBING WASHER
P/N 148099-18

⚠

AXIAL LOAD Vs. DEFLECTION



- NOTES:
- ALL DIMENSIONS ARE IN INCHES .INTERPRET PER ANSI Y14
 - ALL DIMENSIONS ARE NOMINAL AND FOR REFERENCE ONLY .
 - SNUBBING WASHER IS OPTIONAL, ORDER SEPERATE ON PURCHASE ORDER .
FINISH :YELLOW ZINC PLATED PER ASTM B633 TYPE II, CLASS SC 3 UNLESS OTHERWISE SPECIFIED .
 - COLOR-CODE "MARK "IS AN ACCEPTABLE ADDITION TO MODEL STAMPING .
 - STAMPING SURFACE LOCATION AS MARKED ON DRAWING .
 - CURRENTLY UNDER ENGINEERING REVIEW CONTACT VMC FOR AVAILABILITY

OTHER MATERIALS, COMPOUNDS, OR FINISHES WITH EQUAL OR SUPERIOR PROPERTIES MAY BE SUBSTITUTED AS THEY BECOME AVAILABLE.

CERTIFIED FOR:

JOB NAME: _____

CUSTOMER : _____

CUSTOMER P.O.: _____

SALES ORDER: _____

MODEL RBS2
RING AND BUSHING
NITRILE
ELASTOMERIC ISOLATOR
WITH WEAR PLATE



SCALE : NONE

SHEET: 1 OF 1

DRAWING NO.: _____

REVISION _____

