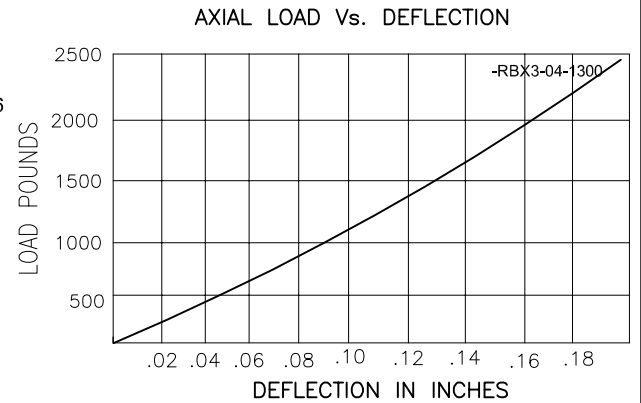
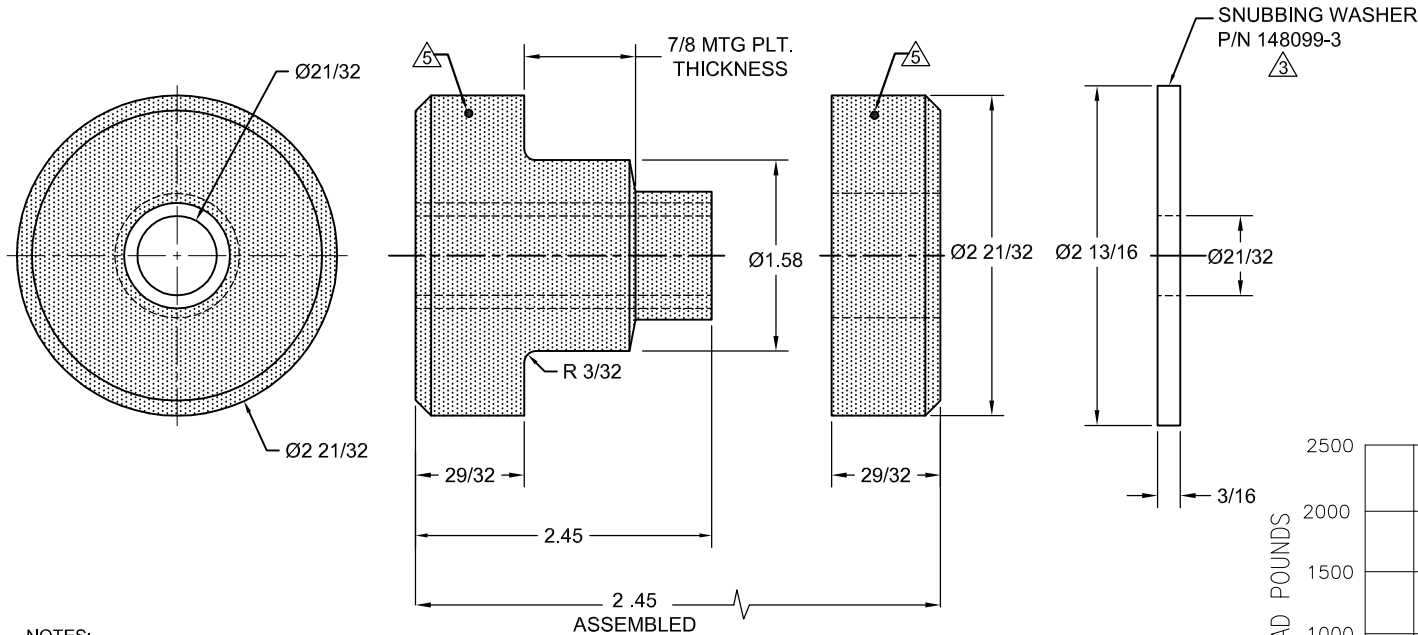




REV.	DESCRIPTION	DATE	BY

PART NO.	MODEL NO.	AXIAL STATIC LOAD MAX LBS.	RADIAL STATIC LOAD MAX LBS.	DUROMETER ± 5	COLOR CODE	MATERIAL
770045-1	RBX3-01	6	6	60	BLUE	BR BRG NEO
770045-2	RBX3-02			56	RED	POLYBUTADIENE
770045-3	RBX3-03			30	WHITE	BR BRG NEO
770045-4	RBX3-04	1300	650	70	PURPLE&WHITE	BR BRG NEO
770045-5	RBX3-05	6	6	60	RED/BLUE	BR BRG NEO
770045-6	RBX3-06			43	RED/YELLOW	NITRILE
770045-7	RBX3-07			70	BLUE/YELLOW	NITRILE



- NOTES:
- ALL DIMENSIONS ARE IN INCHES .INTERPRET PER ANSI Y14
 - ALL DIMENSIONS ARE NOMINAL AND FOR REFERENCE ONLY.
 - SNUBBING WASHER IS OPTIONAL, ORDER SEPERATE ON PURCHASE ORDER.
FINISH :YELLOW ZINC PLATED PER ASTM B633 TYPE II, CLASS SC 3 UNLESS OTHERWISE SPECIFIED .
 - COLOR-CODE "MARK "IS AN ACCEPTABLE ADDITION TO MODEL STAMPING .
 - STAMPING SURFACE LOCATION AS MARKED ON DRAWING.
 - CURRENTLY UNDER ENGINEERING REVIEW CONTACT VMC FOR AVAILABILITY

OTHER MATERIALS, COMPOUNDS, OR FINISHES WITH EQUAL OR SUPERIOR PROPERTIES MAY BE SUBSTITUTED AS THEY BECOME AVAILABLE.

CERTIFIED FOR: JOB NAME: _____ CUSTOMER : _____ CUSTOMER P.O.: _____ SALES ORDER: _____	MODEL RBX3 1300 LBS. RING AND BUSHING ELASTOMERIC ISOLATOR	 THE VMC GROUP <i>The Power of Together</i> Bloomingdale, NJ 07403 Houston, TX 77041	SCALE : NONE	Member 
			SHEET:	