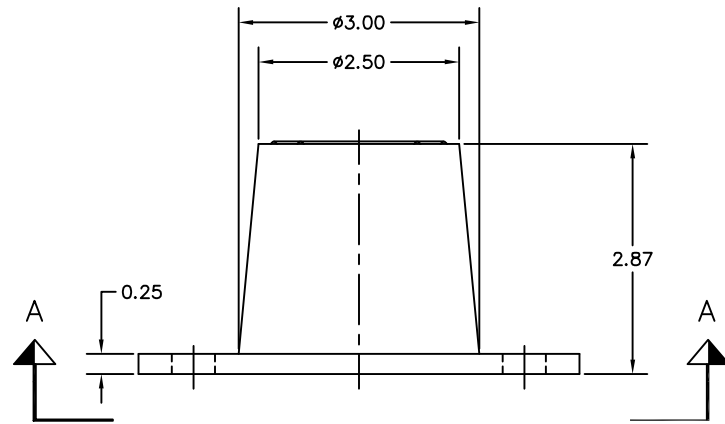
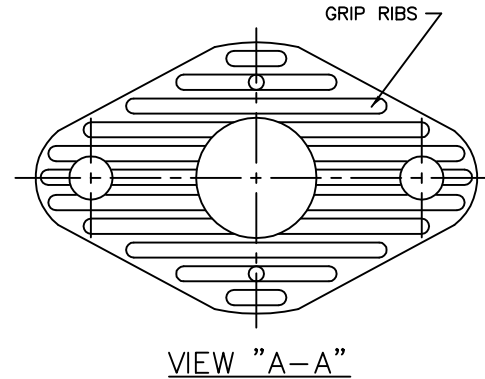
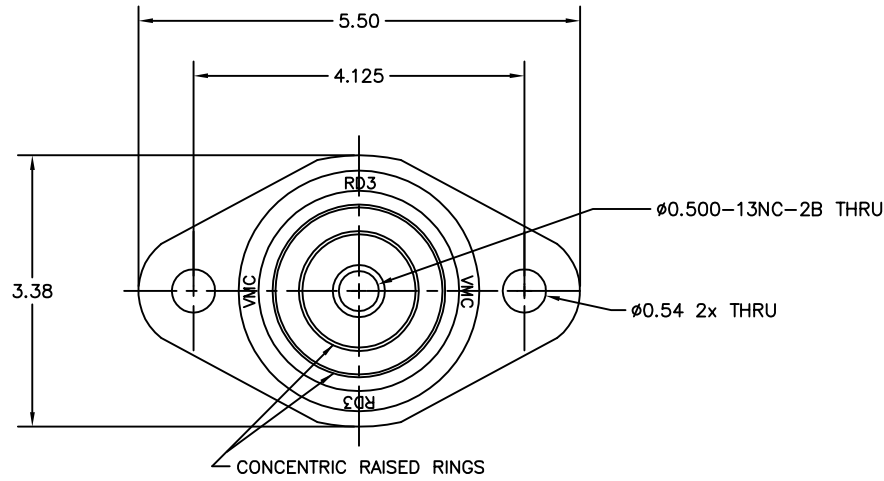


114R-100320 REV.: 3

REV.	DESCRIPTION	DATE	BY



MODEL, ELASTOMERIC, RD3 DURULENE			
PART NUMBER	MODEL	RATED AXIAL	RATED DEFLECTION
114A-100319-01	RD3-BLUE-WR	4	0.50
114A-100319-02	RD3-BROWN-WR	250	0.50
114A-100319-03	RD3-RED-WR	525	0.50
114A-100319-04	RD3-GREEN-WR	750	0.50
114A-100319-05	RD3-GRAY-WR	1100	0.50
114A-100319-06	RD3-PURPLE-WR	4	0.50

AXIAL TO RADIAL SPRING RATE (K) RATIO 3:1 NOMINAL

NOTES:

1. ALL DIMENSIONS ARE NOMINAL IN INCHES, INTERPRET PER ANSI Y14.
2. MOLDED STEEL AND ELASTOMERIC ISOLATOR NON FAIL SAFE, SERVICE CONDITIONS. CONTACT THE VMC GROUP FOR APPLICABILITY
3. MODEL COLORS ARE ACTUAL MOUNT COLOR IN ADDITION TO MODEL TYPE STAMPING
4. ADDITIONAL ELASTOMER TYPES & CAPACITIES AVAILABLE, CONTACT THE VMC GROUP FOR APPLICABILTY.

OTHER MATERIALS, COMPOUNDS, OR FINISHES WITH EQUAL OR SUPERIOR PROPERTIES MAY BE SUBSTITUTED AS THEY BECOME AVAILABLE.

CERTIFIED FOR:

JOB NAME: _____
 CUSTOMER : _____
 CUSTOMER P.O.: _____
 SALES ORDER: _____

**MODEL RD3 250-1100 LBS.
 DURULENE ELASTOMERIC ISOLATOR
 0.5 INCH DEFLECTION**



THE VMC GROUP
The Power of Together
 Bloomingdale, NJ 07403
 Houston, TX 77041

SCALE :

NONE

SHEET:



DRAWING NO.:

REVISION