

REV.	DESCRIPTION	DATE	BY

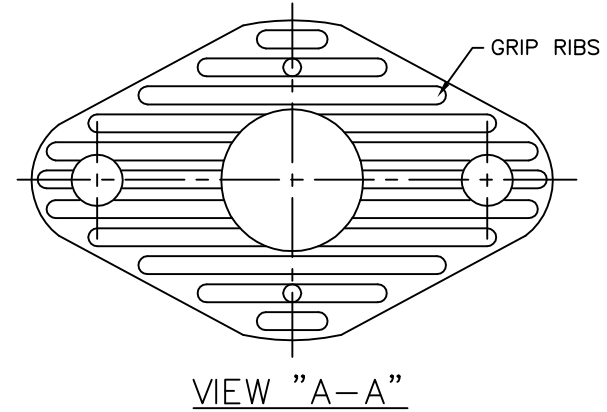
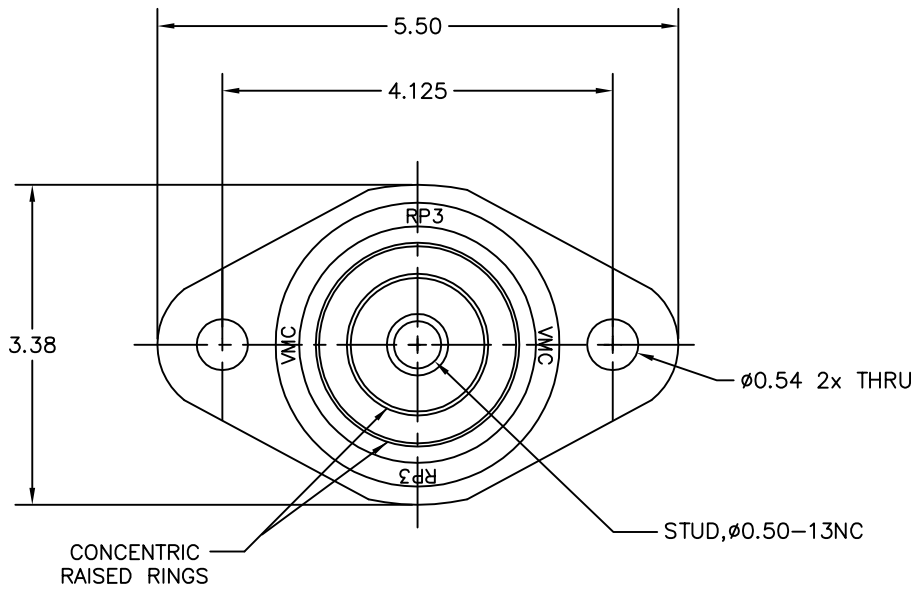


TABLE 1

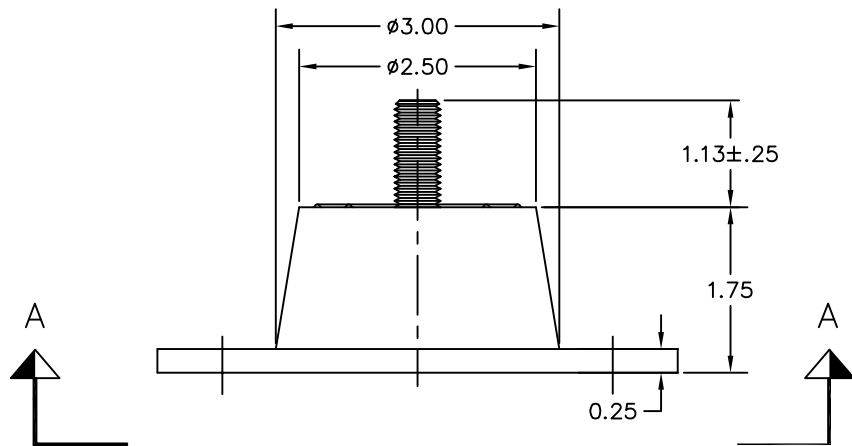
PART NUMBER	MODEL	RATED AXIAL LOAD-LBS	DEFLECTION AT RATED LOAD-INCHES
114A-100415-01	RP3-BLUE-WR	200	0.25
114A-100415-02	RP3-BROWN-WR	250	0.25
114A-100415-03	RP3-RED-WR	525	0.25
114A-100415-04	RP3-GREEN-WR	750	0.25
114A-100415-05	RP3-GRAY-WR	1500	0.25
114A-100415-06	RP3-PURPLE-WR	⚠	0.25

AXIAL TO RADIAL SPRING RATE (K) RATIO 3:1 NOMINAL

NOTES:

1. DIMENSIONS FOR CUSTOMER REFERENCE
2. TABLE 1 IS AVERAGE DESIGN DATA FOR REFERENCE.
3. MOLDED STEEL AND ELASTOMER MOUNT FOR NON-FAIL SAFE, OUTDOOR SERVICE CONDITIONS.
4. CONSULT VMC FOR APPLICABILITY
- ⚠ CONTACT VMC FOR APPLICABLE RATED LOAD

OTHER MATERIALS, COMPOUNDS, OR FINISHES WITH EQUAL OR SUPERIOR PROPERTIES MAY BE SUBSTITUTED AS THEY BECOME AVAILABLE.



CERTIFIED FOR:

JOB NAME: _____
 CUSTOMER: _____
 CUSTOMER P.O.: _____
 SALES ORDER: _____

MODEL RP3 200-1500 LBS.
 DURULENE ELASTOMERIC ISOLATOR
 WITH POSITIONING PIN
 0.25 INCH DEFLECTION



THE VMC GROUP
 The Power of Together
 Bloomingdale, NJ 07403
 Houston, TX 77041

SCALE:

NONE

SHEET:



DRAWING NO.:

REVISION