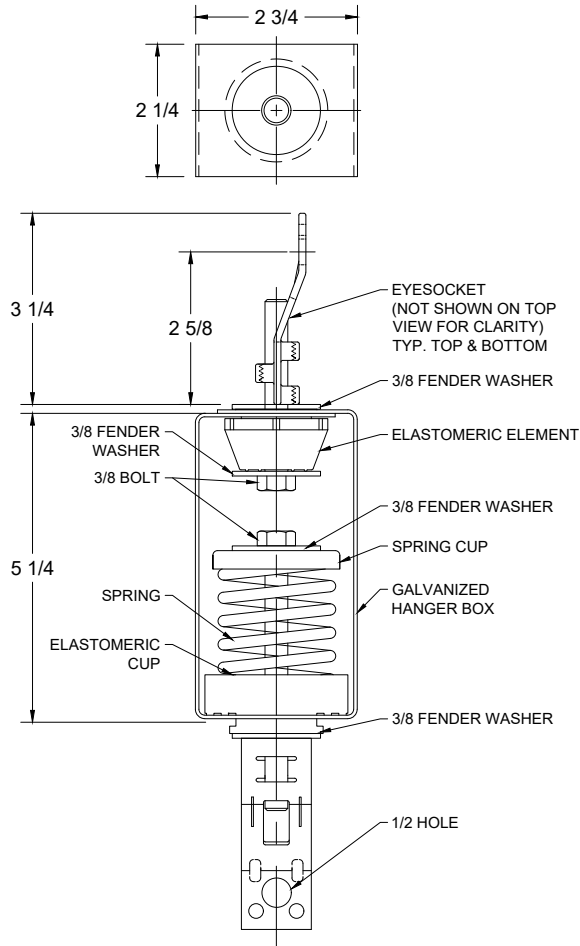
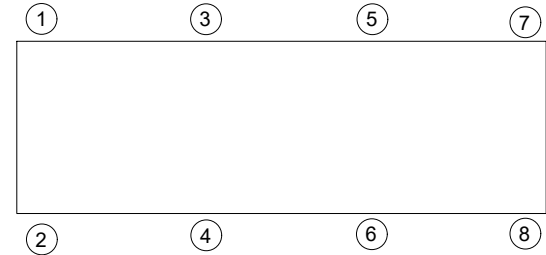


REV.	DESCRIPTION	DATE	BY



MODEL RSHSC-1C ELASTOMERIC & SPRING HANGER 1" DEFLECTION				
HANGER	RATED LOAD (LBS)	RATED DEFLECTION (IN)	SPRING RATE (LBS/IN)	COLOR CODE
RSHSC-1C-15	15	1.00	15	DK. GRAY
RSHSC-1C-25	25	1.00	25	GREEN
RSHSC-1C-50	50	1.00	50	BLUE
RSHSC-1C-100	100	1.00	100	TAN
RSHSC-1C-150	150	1.00	150	RED
RSHSC-1C-250	250	0.83	300	BLACK
RSHSC-1C-300	300	0.75	400	DK YELLOW
RSHSC-1C-370	370	0.75	493	YELLOW



ISOLATOR SELECTIONS	
LOC 1:	LOC 2:
LOC 3:	LOC 4:
LOC 5:	LOC 6:
LOC 7:	LOC 8:
CUSTOMER EQP'T. TAG:	

NOTE: MATERIAL SHOWN IS FOR (1) SET.

OTHER MATERIALS, COMPOUNDS, OR FINISHES WITH EQUAL OR SUPERIOR PROPERTIES MAY BE SUBSTITUTED AS THEY BECOME AVAILABLE.

- NOTES:**
- STANDARD FINISH: HANGER BOX; GALVANIZED STEEL, SPRING - POWDER COAT.
 - ALL DIMENSIONS IN INCHES. INTERPRET PER ANSI Y14.
 - ALL DIMENSIONS ARE FOR REFERENCE, DIMENSIONS SHOWN AS NOMINAL.
 - ALL SPRINGS ARE DESIGNED WITH MINIMUM 20% OVER-TRAVEL.
 - HANGER BOXES WITH AN ELASTOMERIC ELEMENT HAVE UP TO AN ADDITIONAL 1/4" NOMINAL DEFLECTION.
 - SOME ASSEMBLIES MAY INCLUDE ADDITIONAL OR VARYING SIZE WASHERS.
 - RATED DEFLECTIONS ARE WITHIN 25% OF NOMINAL. HIGHER DEFLECTIONS ARE ALLOWED IF THEY MEET SPECIFICATIONS.
 - SPRING TO BE PARTIALLY PRE-COMPRESSED FOR PROPER SPRING ASSEMBLY FIT.

CERTIFIED FOR:

JOB NAME: _____
 CUSTOMER : _____
 CUSTOMER P.O.: _____
 SALES ORDER: _____

**MODEL RSHSC-1C 15-370 LBS.
 ELASTOMERIC AND SPRING HANGER
 WITH EYESOCKET
 1 INCH DEFLECTION**



SCALE : NONE	
SHEET:	
DRAWING NO.:	REVISION