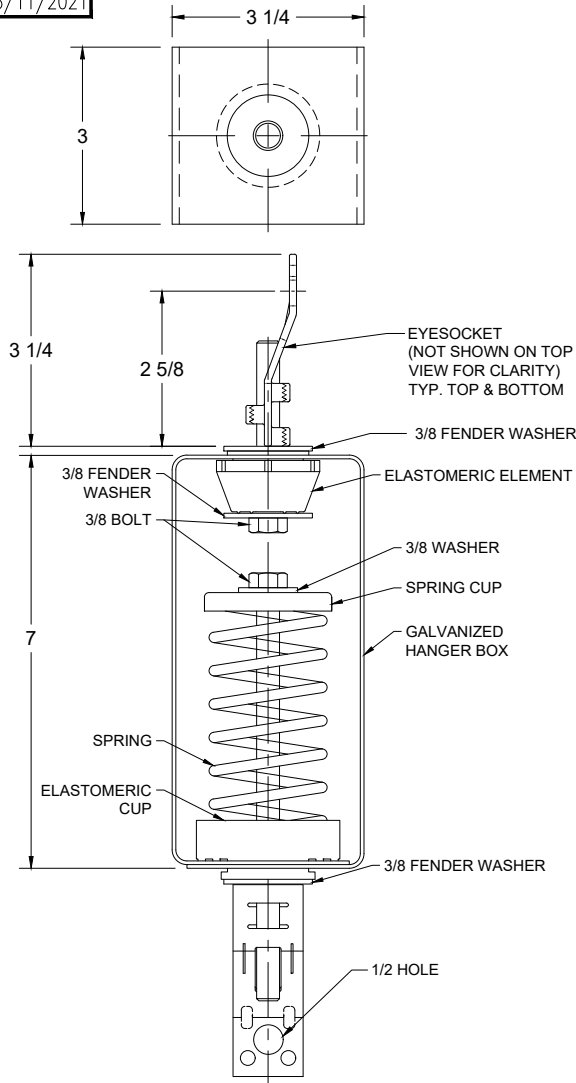
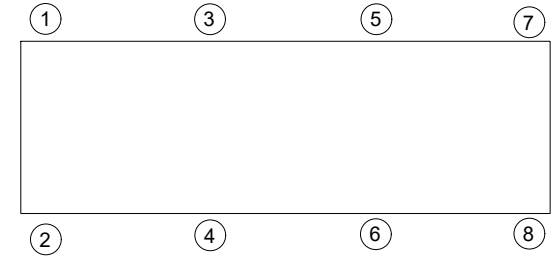


REV.	DESCRIPTION	DATE	BY



MODEL RSHSC-2Q ELASTOMERIC & SPRING HANGER 2" DEFLECTION				
HANGER	RATED LOAD (LBS)	RATED DEFLECTION (IN)	SPRING RATE (LBS/IN)	COLOR CODE
RSHSC-2Q-90	90	2.00	45	DK. BLUE
RSHSC-2Q-110	110	1.83	60	BLACK
RSHSC-2Q-140	140	1.59	88	RED
RSHSC-2Q-195	195	1.56	125	DK. GREEN
RSHSC-2Q-240	240	1.47	165	GRAY
RSHSC-2Q-340	340	1.50	225	YELLOW
RSHSC-2Q-450	450	1.51	300	ORANGE



- NOTES:**
- STANDARD FINISH: HANGER BOX; GALVANIZED STEEL, SPRING - POWDER COAT.
 - ALL DIMENSIONS IN INCHES. INTERPRET PER ANSI Y14.
 - ALL DIMENSIONS ARE FOR REFERENCE, DIMENSIONS SHOWN AS NOMINAL.
 - ALL SPRINGS ARE DESIGNED WITH MINIMUM 20% OVER-TRAVEL.
 - HANGER BOXES WITH AN ELASTOMERIC ELEMENT HAVE UP TO AN ADDITIONAL 1/4" NOMINAL DEFLECTION.
 - SOME ASSEMBLIES MAY INCLUDE ADDITIONAL OR VARYING SIZE WASHERS.
 - RATED DEFLECTIONS ARE WITHIN 25% OF NOMINAL. HIGHER DEFLECTIONS ARE ALLOWED IF THEY MEET SPECIFICATIONS.

ISOLATOR SELECTIONS	
LOC 1:	LOC 2:
LOC 3:	LOC 4:
LOC 5:	LOC 6:
LOC 7:	LOC 8:
CUSTOMER EQP'T. TAG:	

NOTE: MATERIAL SHOWN IS FOR (1) SET.

OTHER MATERIALS, COMPOUNDS, OR FINISHES WITH EQUAL OR SUPERIOR PROPERTIES MAY BE SUBSTITUTED AS THEY BECOME AVAILABLE.

CERTIFIED FOR:

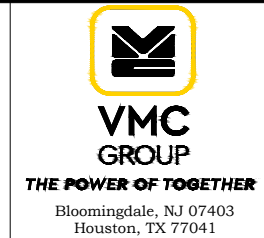
JOB NAME: _____

CUSTOMER : _____

CUSTOMER P.O.: _____

SALES ORDER: _____

**MODEL RSHSC-2Q 90-450 LBS.
ELASTOMERIC AND SPRING HANGER
WITH EYESOCKET
2 INCH DEFLECTION**



SCALE : NONE	
SHEET:	
DRAWING NO.:	REVISION