

REV.	DESCRIPTION	DATE	BY

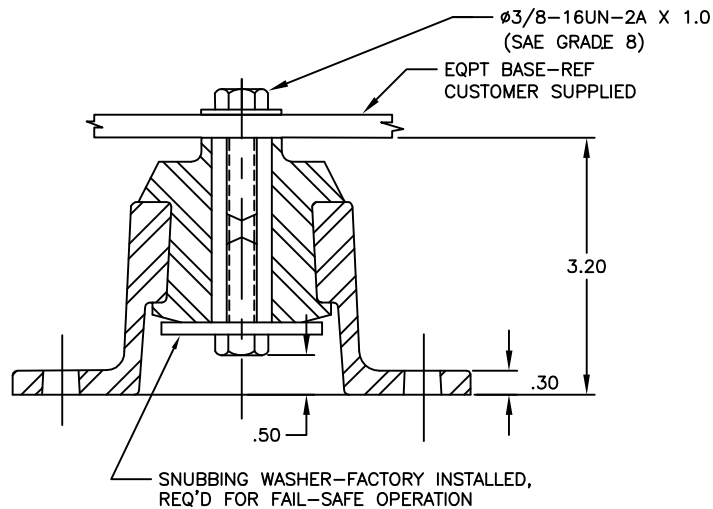
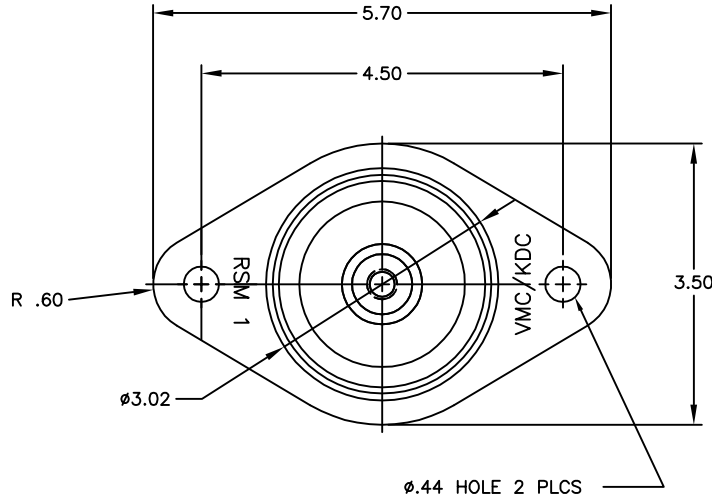


TABLE 1

PART NUMBER	MODEL DESIGNATION	RATED AXIAL MAX LOAD (LBS)	DEFLECTION LOAD (IN.) AXIAL	MAX AXIAL DEFLECTION (IN.)	COLOR CODE
107A-100187-01	RSM1-120-EHT	120	0.15	0.50	DK. BLUE
107A-100187-02	RSM1-200-EHT	200	.12-.15	0.50	LT. BLUE
107A-100187-03	RSM1-250-EHT	250	0.15	0.50	ORANGE
107A-100187-04	RSM1-400-EHT	400	.15-.17	0.50	RED

NOTES:

1. DIMENSIONS FOR CUSTOMER REFERENCE.
2. TABLE 1 IS AVERAGE DESIGN DATA FOR REFERENCE.
3. MOLDED METAL AND ELASTOMER MOUNT, DESIGNED FOR "FAIL-SAFE", "CAPTIVE", "MOBILE" OR "SEISMIC" APPLICATIONS. CONSULT VMC FOR SPECIFIC APPLICABILITY AND LIMITS.
4. HIGH TEMPERATURE LIMIT 450°F UNDER MOST CONDITIONS.
5. NOMINAL DESIGN AXIAL/RADIAL STIFFNESS RATIO 1:2
6. WEIGHT, 2.9 LBS APPROXIMATE.

OTHER MATERIALS, COMPOUNDS, OR FINISHES WITH EQUAL OR SUPERIOR PROPERTIES MAY BE SUBSTITUTED AS THEY BECOME AVAILABLE.

CERTIFIED FOR:

JOB NAME: _____
 CUSTOMER : _____
 CUSTOMER P.O.: _____
 SALES ORDER: _____

MODEL RSM1 120-400 LBS.
 RESTRAINED ELASTOMERIC ISOLATOR
 EXTREME HIGH TEMPERATURE



THE VMC GROUP
The Power of Together
 Bloomingdale, NJ 07403
 Houston, TX 77041

SCALE :

NONE

SHEET:



DRAWING NO.:

REVISION