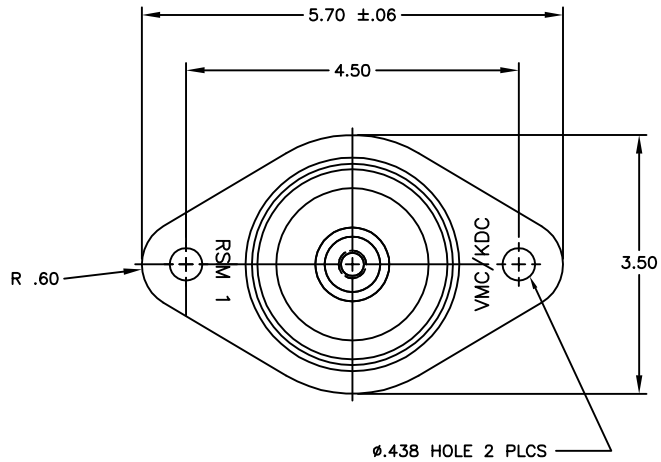


| REV. | DESCRIPTION | DATE | BY |
|------|-------------|------|----|
|      |             |      |    |

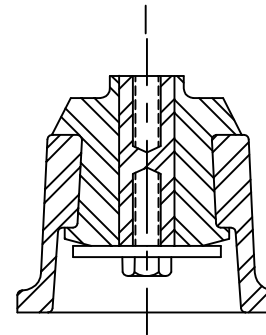
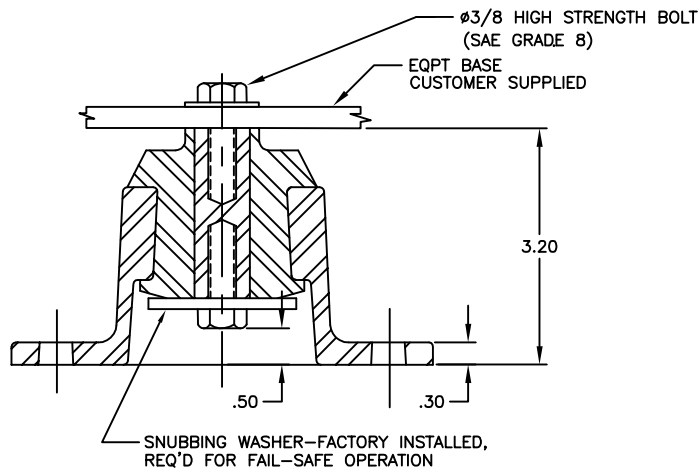


**TABLE 1**

| PART NUMBER | MODEL DESIGNATION | LOAD RANGE (LBS) | DEFLECTION LOAD (IN.) AXIAL | MAX AXIAL DEFLECTION (IN.) | COLOR CODE |
|-------------|-------------------|------------------|-----------------------------|----------------------------|------------|
| 770069-1    | RSM1-120          | 120              | 0.15                        | 0.50                       | WHITE      |
| 770069-2    | RSM1-200          | 200              | .12-.15                     | 0.50                       | RED        |
| 770069-3    | RSM1-250          | 250              | 0.15                        | 0.50                       | GREEN      |
| 770069-4    | RSM1-400          | 400              | .15-.17                     | 0.50                       | PURPLE     |

**NOTES:**

1. DIMENSIONS FOR CUSTOMER REFERENCE.
2. TABLE 1 IS AVERAGE DESIGN DATA FOR REFERENCE.
3. MOLDED METAL AND ELASTOMER MOUNT, DESIGNED FOR "FAIL-SAFE", "CAPTIVE", "MOBILE" OR "SEISMIC" APPLICATIONS. CONSULT VMC FOR SPECIFIC APPLICABILITY AND LIMITS.
4. ALL DIMENSIONS ARE IN INCHES. INTERPRET PER ANSI Y14.
5. NOMINAL DESIGN AXIAL/RADIAL STIFFNESS RATIO 1:2
6. WEIGHT, 2.9 LBS APPROXIMATE.



OTHER MATERIALS, COMPOUNDS, OR FINISHES WITH EQUAL OR SUPERIOR PROPERTIES MAY BE SUBSTITUTED AS THEY BECOME AVAILABLE.

**CERTIFIED FOR:**

JOB NAME: \_\_\_\_\_  
 CUSTOMER : \_\_\_\_\_  
 CUSTOMER P.O.: \_\_\_\_\_  
 SALES ORDER: \_\_\_\_\_

**MODEL RSM1 120-400 LBS.  
 RESTRAINED ELASTOMERIC ISOLATOR**



**THE VMC GROUP**  
*The Power of Together*  
 Bloomingdale, NJ 07403  
 Houston, TX 77041

SCALE :

NONE

SHEET:



DRAWING NO.:

REVISION