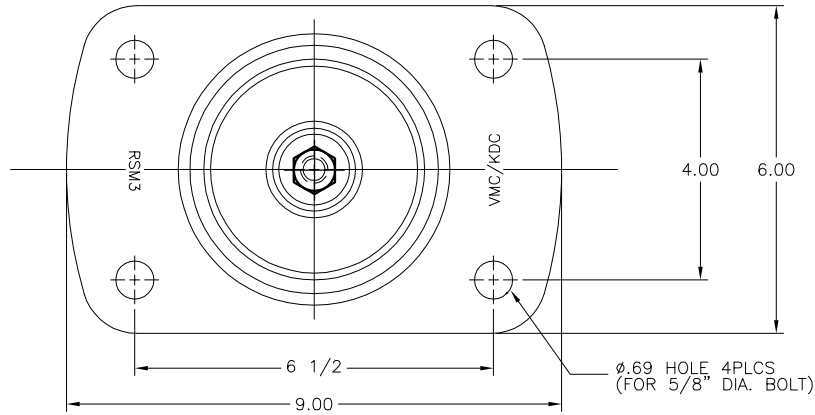
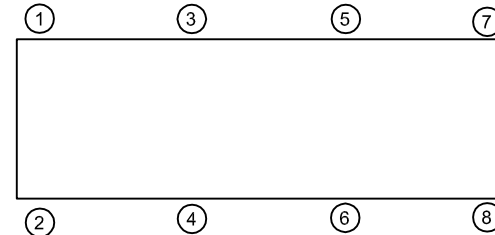
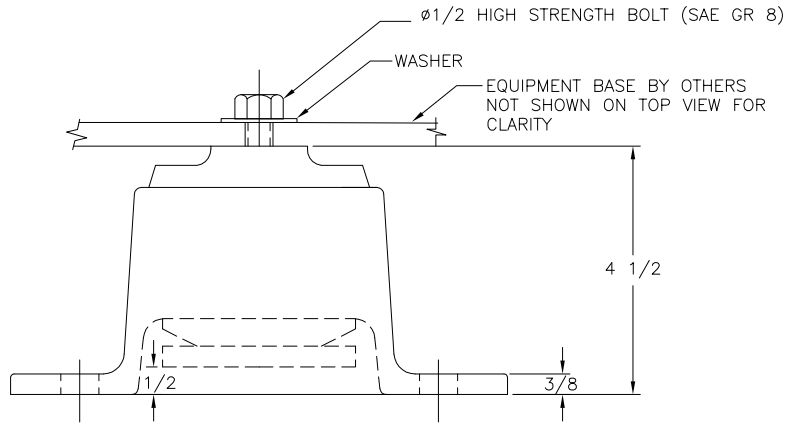


107R-103422 REV.:2

REV.	DESCRIPTION	DATE	BY



PART NUMBER	MODEL DESIGNATION	LOAD RANGE (LBS)	DEFLECTION LOAD (IN.)	MAX AXIAL DEFLECTION (IN.)
770067-1	RSM3-400	250-400	0.15	0.50
770067-2	RSM3-700	400-700	0.15	0.50
770067-3	RSM3-1000	700-1000	0.15	0.50
770067-4	RSM3-1300	1000-1300	0.15	0.50
770067-5	RSM3-1600	1300-1600	0.15	0.50
770067-6	RSM3-2300	1600-2300	0.15	0.50



ISOLATOR SELECTIONS	
LOC 1:	LOC 2:
LOC 3:	LOC 4:
LOC 5:	LOC 6:
LOC 7:	LOC 8:
CUSTOMER EQPT. TAG:	

NOTE: MATERIAL SHOWN IS FOR (1) SET.

OTHER MATERIALS, COMPOUNDS, OR FINISHES WITH EQUAL OR SUPERIOR PROPERTIES MAY BE SUBSTITUTED AS THEY BECOME AVAILABLE.

NOTES:

- ALL DIMENSIONS ARE IN INCHES. INTERPRET PER ANSI Y14.
- FINISH:
 - A. CASTING; STANDARD PAINT (BLACK)
 - OPTIONAL:
 - GALVANIZED.
 - POWDER COATED (CASTING). CONTACT VMC FOR AVAILABILITY OF ADDITIONAL FINISHES.
 - B. HARDWARE; ELECTRO-ZINC PLATED.
- APPROX. WEIGHT; 14.8 LBS.

CERTIFIED FOR:

JOB NAME: _____
 CUSTOMER : _____
 CUSTOMER P.O.: _____
 SALES ORDER: _____

**MODEL RSM3 250-2300 LBS.
 RESTRAINED ELASTOMERIC ISOLATOR**



THE VMC GROUP
The Power of Together
 Bloomingdale, NJ 07403
 Houston, TX 77041

SCALE :

NONE

SHEET:



DRAWING NO.:

REVISION