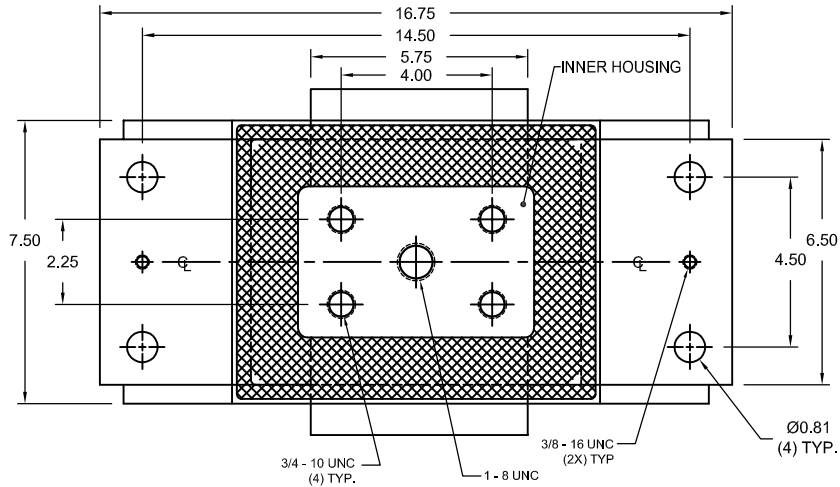
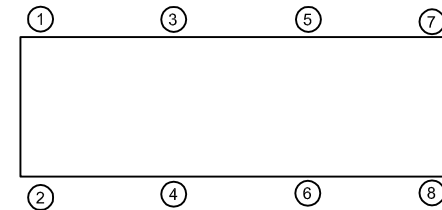
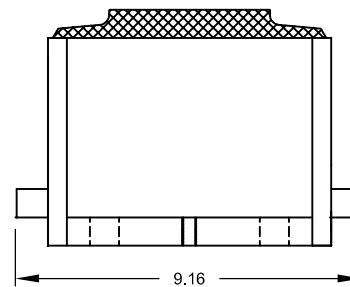
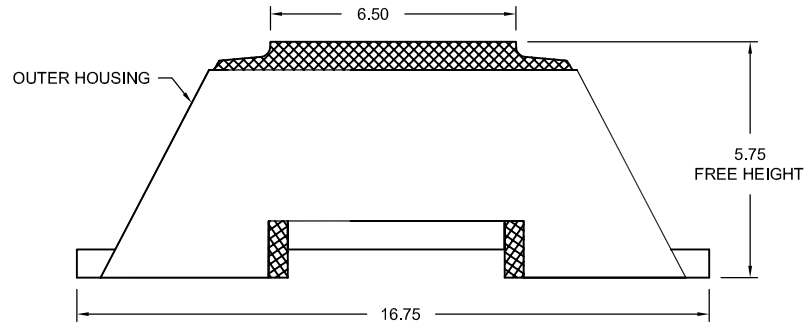


107R-102851 REV.: 3

REV.	DESCRIPTION	DATE	BY
A	INITIAL RELEASE		



MODEL NO.	COMPOUND	COLOR CODE
RSM5-10000NR	NATURAL RUBBER	YELLOW



ISOLATOR SELECTIONS	
LOC 1:	LOC 2:
LOC 3:	LOC 4:
LOC 5:	LOC 6:
LOC 7:	LOC 8:
CUSTOMER EQPT. TAG:	

- NOTES:
1. STANDARD FINISH: HOUSING- ONE COAT BLACK PAINT
 2. ALL DIMENSIONS ARE REFERENCE ONLY. CONSULT VMC FOR SPECIFIC LIMITS AND APPLICATIONS.
 3. MOLDED STEEL AND ELASTOMER MOUNT
 4. ALL DIMENSIONS ARE IN INCHES, INTERPRET PER ANSI Y14.

NOTE: MATERIAL SHOWN IS FOR (1) SET.

OTHER MATERIALS, COMPOUNDS, OR FINISHES WITH EQUAL OR SUPERIOR PROPERTIES MAY BE SUBSTITUTED AS THEY BECOME AVAILABLE.

CERTIFIED FOR:

JOB NAME: _____
 CUSTOMER : _____
 CUSTOMER P.O.: _____
 SALES ORDER: _____

**MODEL RSM5 10000 LBS.
 RESTRAINED ELASTOMERIC ISOLATOR**



THE VMC GROUP
The Power of Together
 Bloomingdale, NJ 07403
 Houston, TX 77041

SCALE:

NONE

SHEET:



DRAWING NO.:

REVISION