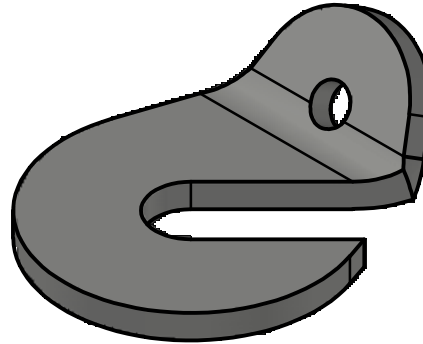
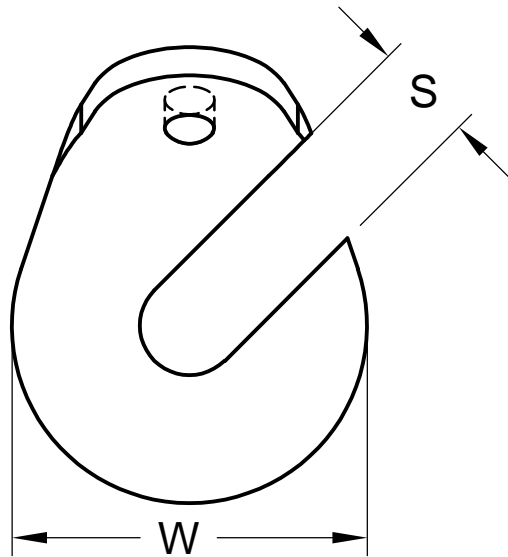
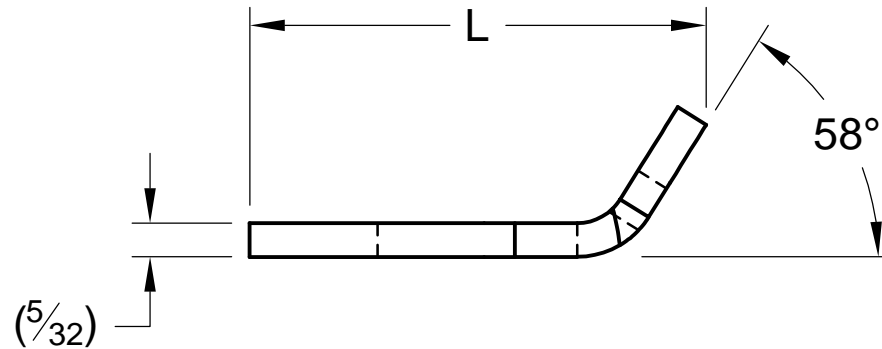
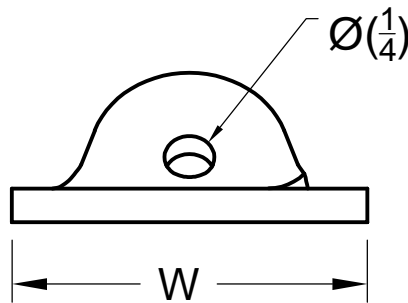


REV.	DESCRIPTION	DATE	BY



MODEL #	L(REF)	W(REF)	S(REF)
SAFR-1/4	2 9/32	1 25/32	1/4
SAFR-3/8			13/32
SAFR-1/2			17/32
SAFR-5/8			21/32



- NOTES:
1. ALL DIMENSIONS ARE IN INCHES, REFERENCE ONLY
 2. FINISH: ZINC ELECTROPLATE
 3. MATERIAL: 1008/1010 STEEL OR EQUAL

OTHER MATERIALS, COMPOUNDS, OR FINISHES WITH EQUAL OR SUPERIOR PROPERTIES MAY BE SUBSTITUTED AS THEY BECOME AVAILABLE.

CERTIFIED FOR:

JOB NAME: _____

CUSTOMER : _____


CUSTOMER P.O.: _____

SALES ORDER: _____

**MODEL SAFR
SEISMIC BRACKET RESTRAINT**



**VMC
GROUP**
THE POWER OF TOGETHER™
Bloomingdale, NJ 07403
Houston, TX 77041

SCALE :	NONE	
SHEET:	1 OF 1	
DRAWING NO.:		REVISION