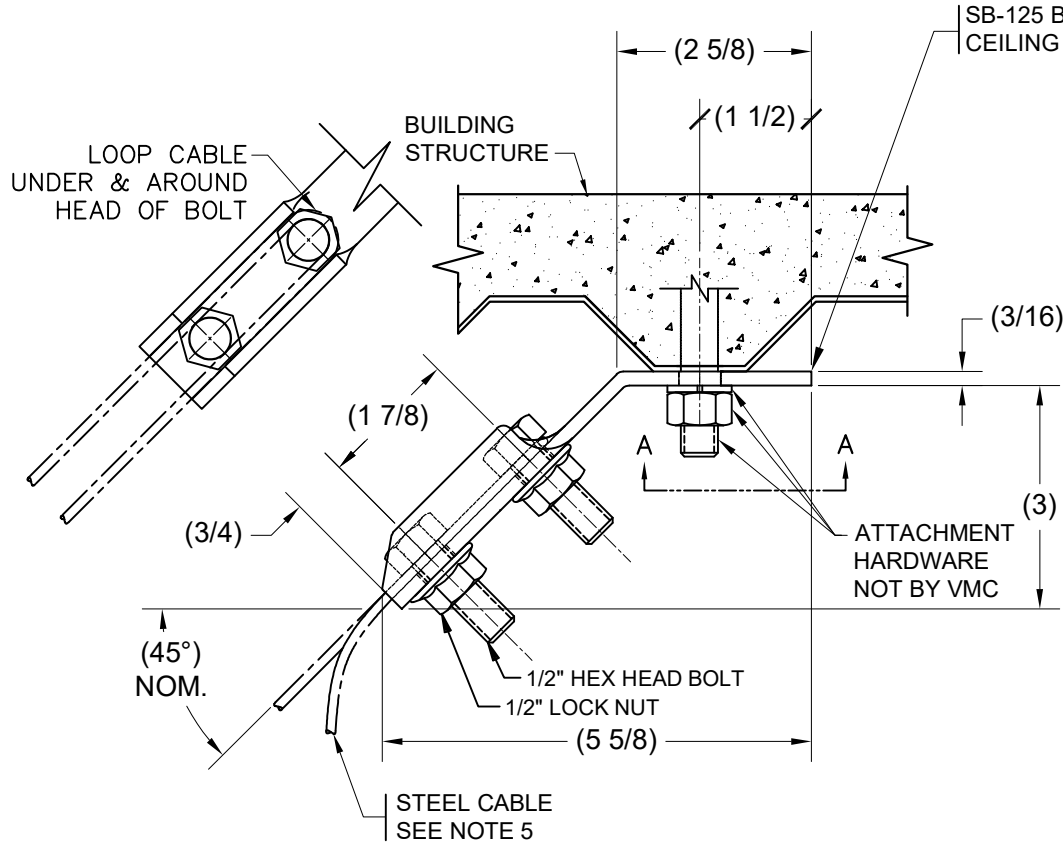
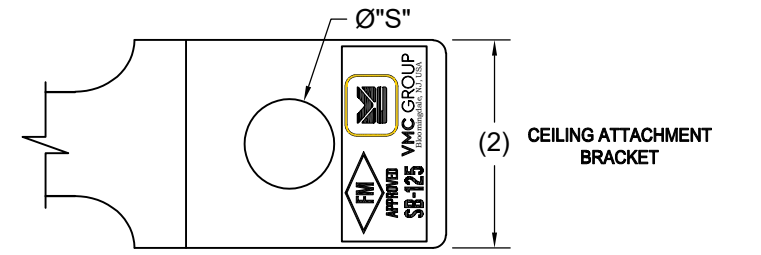


REV.	DESCRIPTION	DATE	BY

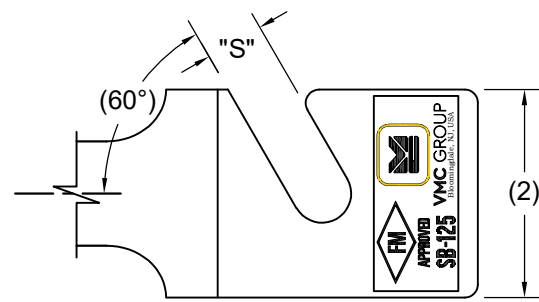


KIT PART NUMBER	"S"	COLOR CODE	MAX. TENSION ALLOWABLE(LBS.)	KIT TYPE
			1/8" CABLE	
SB-125-01	9/16"	CLEAR ZINC COATED	1100	SLOT/HOLE
SB-125-02	11/16"	YELLOW ZINC COATED		SLOT/HOLE
SB-125-03	9/16"	CLEAR ZINC COATED		HOLE
SB-125-04	11/16"	YELLOW ZINC COATED		HOLE
SB-125-05	9/16"	CLEAR ZINC COATED		HOLE
	11/16"	YELLOW ZINC COATED		SLOT
SB-125-06	11/16"	YELLOW ZINC COATED		HOLE
	9/16"	CLEAR ZINC COATED	SLOT	
SB-125-07	11/16"	YELLOW ZINC COATED	HOLE	
	9/16"	CLEAR ZINC COATED	HOLE	

ALL RATING AT 45° FOR STEEL ATTACHMENT (LRFD)



CEILING ATTACHMENT BRACKET



PIPING/EQUIPMENT ATTACHMENT BRACKET (NOT TO BE USED AT CEILING ATTACHMENT NOT PART OF -03 & -04 KITS)

ALTERNATE VIEW A-A

OTHER MATERIALS, COMPOUNDS, OR FINISHES WITH EQUAL OR SUPERIOR PROPERTIES MAY BE SUBSTITUTED AS THEY BECOME AVAILABLE.

- NOTES:
1. MATERIAL: COLD ROLLED STEEL
 2. HARDWARE & BRACKETS ELECTRO ZINC PLATED
 3. KITS CONSIST OF 4 TOTAL BRACKET ASSEMBLIES EACH COMPRISED OF 2 BOLTS & 2 SERRATED 1/2" LOCK NUTS WITH EITHER SLOTTED OR HOLED BRACKET COMBINATIONS AS NOTED ON TABLE
 4. FIELD TORQUE 1/2" LOCK NUTS TO 35 FT-LBS.
 5. CABLE SOLD SEPARATELY PN: 140360-12.
 6. ALLOWABLE ANCHORAGE TO CONCRETE TO BE CALCULATED ON A JOB BASIS.

APPROVED
Fixed Equipment Anchorage
Office of Statewide Health Planning and Development
OPA-1262
on
Anthony R. Pike
Anthony R. Pike (918) 654-3362

CERTIFIED FOR:

JOB NAME: _____

CUSTOMER: _____

CUSTOMER P.O.: _____

SALES ORDER: _____

MODEL SB-125 1100-2667 LBS.
SEISMIC CABLE RESTRAINT KIT

VMC GROUP
THE POWER OF TOGETHERSM
Bloomington, NJ 07403
Houston, TX 77041

SCALE: NONE

SHEET: _____

DRAWING NO.: _____

REVISION: _____

Member
VISCMA