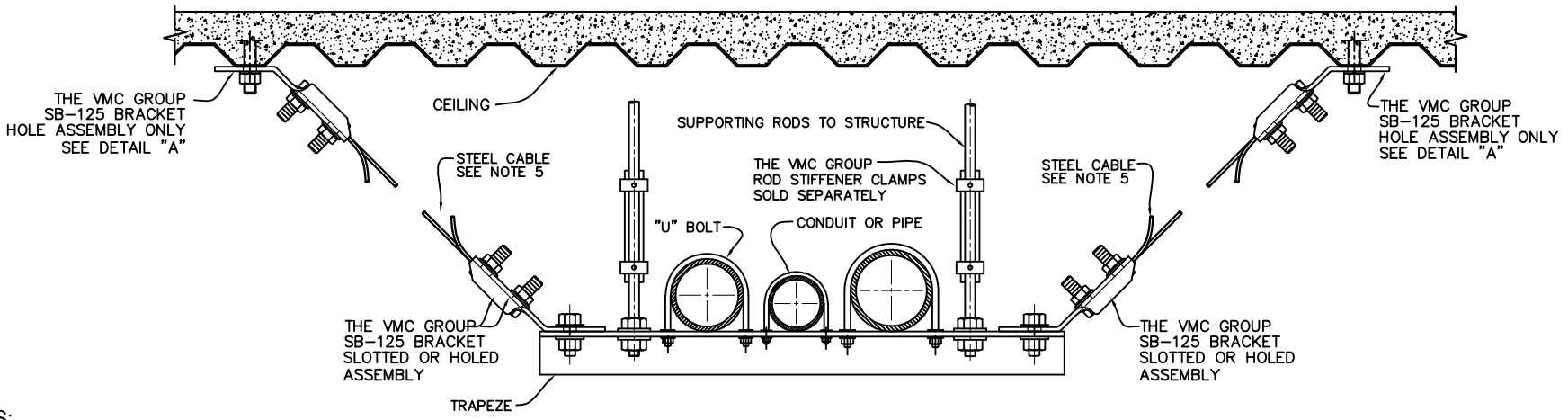


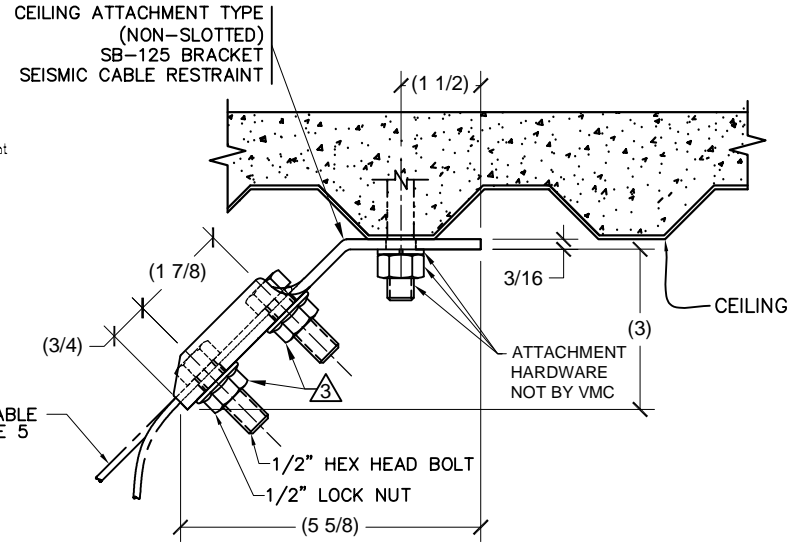
REV.	DESCRIPTION	DATE	BY



NOTES:

- 1) MATERIAL: COLD ROLLED STEEL
- 2) HARDWARE & BRACKETS ZINC ELECTROPLATE
- 3) FIELD TORQUE 1/2" LOCK NUTS TO 35 FT- LBS.
- 4) SB-125 KITS:
 - SB-125-01 KIT CONSISTS OF 9/16 ASSEMBLY CONSISTING OF :
2 HOLED BRACKETS, 2 SLOTTED BRACKETS
8 BOLTS, 8 SERRATED FLANGE NUTS
 - SB-125-02 KIT CONSISTS OF 11/16 ASSEMBLY CONSISTING OF :
2 HOLED BRACKETS, 2 SLOTTED BRACKETS
8 BOLTS, 8 SERRATED FLANGE NUTS
 - SB-125-03 KIT CONSISTS OF 9/16 ASSEMBLY CONSISTING OF :
4 HOLED BRACKETS
8 BOLTS, 8 SERRATED FLANGE NUTS
 - SB-125-04 KIT CONSISTS OF 11/16 ASSEMBLY CONSISTING OF :
4 HOLED BRACKETS
8 BOLTS, 8 SERRATED FLANGE NUTS
- 5) CABLE SOLD SEPARATELY PN:140360-12.

APPROVED
Fixed Equipment Anchorage
Office of Statewide Health Planning and Development
OPA-1262
on
Anthony R. Pike
Anthony R. Pike (916) 654-3362



DET."A": CEILING ATTACHMENT

OTHER MATERIALS, COMPOUNDS, OR FINISHES WITH EQUAL OR SUPERIOR PROPERTIES MAY BE SUBSTITUTED AS THEY BECOME AVAILABLE.

PART NUMBER	"H"	CONSIST OF ASSEMBLIES	COLOR CODE	KIT TYPE
SB-125-01	9/16" BRACKET ASSEMBLIES	154A-100794-01 & -03	CLEAR ZINC COATED	SLOT/HOLE
SB-125-02	11/16" BRACKET ASSEMBLIES	154A-100794-02 & -04	YELLOW ZINC COATED	SLOT/HOLE
SB-125-03	9/16" BRACKET ASSEMBLIES	154A-100794-01(2X)	CLEAR ZINC COATED	HOLE
SB-125-04	11/16" BRACKET ASSEMBLIES	154A-100794-02(2X)	YELLOW ZINC COATED	HOLE

CERTIFIED FOR:

JOB NAME: _____

CUSTOMER: _____

CUSTOMER P.O.: _____

SALES ORDER: _____

**MODEL SB-125 TRANSVERSE BRACING
FOR TRAPEZE HUNG
PIPE AND CONDUIT**

Bloomington, NJ 07403
Houston, TX 77041

SCALE : NONE	Member VISCMA
SHEET: _____	
DRAWING NO.: _____	REVISION