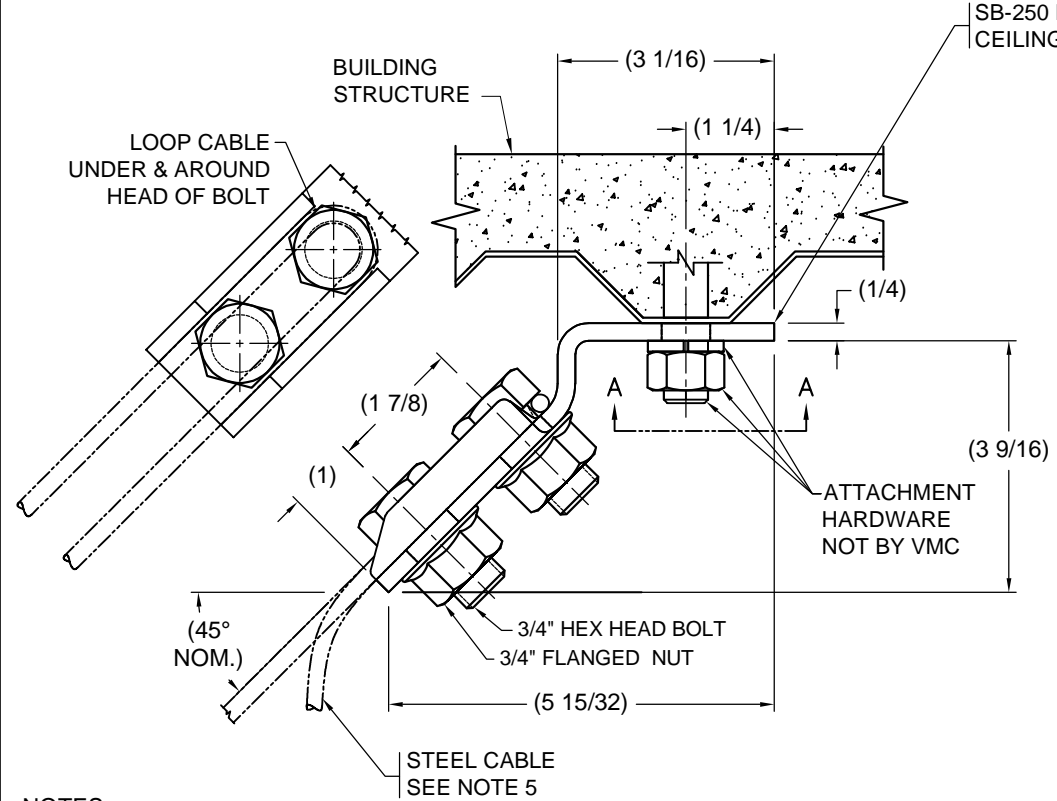
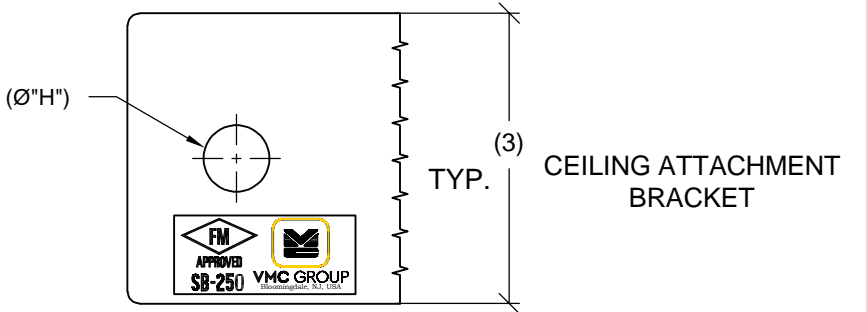


REV.	DESCRIPTION	DATE	BY

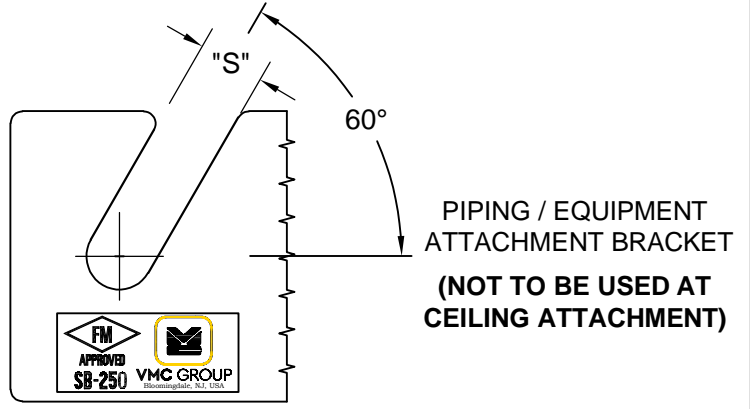


KIT PART NUMBER	"S"	"H"	COLOR CODE	MAX. TENSION ALLOWABLE	KIT TYPE
SB-250-01	15/16"	11/16"	CLEAR ZINC COATED	4020 LBS.	SLOT/HOLE
SB-250-02	-	11/16"	CLEAR ZINC COATED	4400 LBS.	HOLE

ALL RATING AT 45° FOR STEEL ATTACHMENT (LRFD)



VIEW A-A



ALTERNATE VIEW A-A

- NOTES:**
- 1) MATERIAL: COLD ROLLED STEEL
  - 2) HARDWARE & BRACKETS ZINC ELECTROPLATE
  - 3) FIELD TORQUE 3/4" LOCK NUTS TO 50 FT- LBS.
  - 4) **SB-250 KITS:**
    - SB-250-01 KIT CONSISTS OF:
      - 2- 11/16 HOLED BRACKETS, 2- 15/16 SLOTTED BRACKETS
      - 8 BOLTS, 8 SERRATED FLANGE NUTS
    - SB-250-02 KIT CONSISTS OF:
      - 4 -11/16 HOLED BRACKETS
      - 8 BOLTS, 8 SERRATED FLANGE NUTS
  - 5) 1/4" CABLE SOLD SEPARATELY PN:140360-25.
  - 6) ALLOWABLE ANCHORAGE TO CONCRETE TO BE CALCULATED ON A JOB BASIS.

**APPROVED**  
 Fixed Equipment Anchorage  
 Office of Statewide Health Planning and Development  
**OPA-1262**  
 on  
*Anthony R. Pike*  
 Anthony R. Pike (916) 654-3362

OTHER MATERIALS, COMPOUNDS, OR FINISHES WITH EQUAL OR SUPERIOR PROPERTIES MAY BE SUBSTITUTED AS THEY BECOME AVAILABLE.

**CERTIFIED FOR:**

JOB NAME: \_\_\_\_\_

CUSTOMER: \_\_\_\_\_

CUSTOMER P.O.: \_\_\_\_\_

SALES ORDER: \_\_\_\_\_

**MODEL SB-250 4020-4400 LBS.**  
**SEISMIC CABLE RESTRAINT KIT**

Bloomingdale, NJ 07403  
 Houston, TX 77041

SCALE:	NONE	
SHEET:		
DRAWING NO.:		REVISION